

# Accessories

*Chairs, Lights/Lamps, System Accessories,  
Power Supply*



# Table of Contents

- **Chairs** 3
- **Workplace Lighting** 11
- **Monitor Holder and Frames** 21
- **Miscellaneous Accessories** 32
- **Stand-Alone Furnishing** 37
- **Power Distribution and Socket Strips** 42



ACC20003



ACC20022



SYN20193



DOS00721



ELM00025



DAC20091



DAA20045



ACC20034



# Chairs

3 to 10



# Chairs

> 24/7

## Control Room Chairs 24/7

|                    |   |
|--------------------|---|
| Secur 24 Basic     | 4 |
| Axia Focus 24/7    | 5 |
| AXIA Plus 24/7     | 5 |
| 24/7 RecaroGuard L | 6 |
| 24/7 Save Three    | 6 |
| Mr. 24             | 7 |
| Black dot 24h      | 7 |

## Professional

|                            |   |
|----------------------------|---|
| se:do                      | 8 |
| Swivel Chair black dot net | 9 |
| Sit-Stand Smile            | 9 |

## Meeting

|                         |    |
|-------------------------|----|
| Visitor Chair black dot | 10 |
| Visitor Chair Yeah      | 10 |

### Control Room Chair Secur 24 Basic 24/7, head rest, Flip-Up arm rests, heavy duty

- Comfortable automotive seat
- Maximum load: up to 234 kg (515lbs.)
- Height adjustable and tiltable comfort head rest, Protective cover included
- Mechanical lumbar support
- Flip-Up arm rests – Tiltable and fold away
- Compressed gas main spring with end point cushion
- Seating height ambidextrously adjustable 41 – 53 cm
- Extra large 71 cm anti tip cast aluminum castor base
- 65 mm (2,55") heavy duty castors
- Specially designed tilting mechanism, adjustable below front edge of the seat 45 – 150 kg (99-331 lbs.)
- Combination of black automotive synthetic leather and „Staccato“ fabric (black) 1.5 mio. cycles (Martindale)
- Easily adjustably grace to fully ambidextrous controls
- Ambidextrous back rest adjustment knob and maximum lean back angle

#### ■ Dimensions

- Seat width 510 mm
- Max. seat depth 480 mm
- Back rest width 480mm
- Back rest height 600mm

#### ■ Material

Fabric: „Staccato“ (black)  
Black automotive synthetic leather  
1.5 mio. cycles (Martindale)  
Castor base: Polished cast metal

#### ■ Color

- Fabric: black  
- Castor base: Polished cast metal

#### ■ Supply schedule

1 control room chair

#### ■ How supplied

Preassembled

#### ■ Please note:

Many other configurations available on request:

- Hard castors for carpet surfaces
- Further fabric or leather paddings on request
- Protective cover for head rest
- 6-way comfort head rest
- 10 cm sliding seat
- All leather
- Siped back rest
- Chrome plated coat hanger

| Model          | Description            | Order no.    | UP     |
|----------------|------------------------|--------------|--------|
| Secur 24 Basic | With Flip-up arm rests | 00.350.078.9 | 1 unit |



ACC20000

Dimensions in mm: W = Width  
H = Height  
D = Depth  
h = Installation height  
d = Useful depth  
L = Length

HU = Standard height unit, 1 HU = 44,45 mm  
19" = 482,6 mm,  
(ideal for 19" components in acc. with DIN 41494)  
UP = Unit of packaging  
kg = Weight

Conversion: 1 inch = 25,4 mm  
1 pound = 453,6 g

Replace „x“ with the number of your color choice



ACC20001

### Control Room Chair Axia Focus 24/7 24/7, head rest, Flip-Up arm rests, heavy duty

- For 24/7 use in control and surveillance rooms and emergency centers
- Maximum load: up to 234 kg (515lbs.)
- Seating depth ambidextrously adjustable 38 - 48 cm
- Seating height ambidextrously adjustable 39 - 52 cm
- Load Adjustment 40-150 kg (88 – 330lbs.) below front edge of the seat
- Flip-Up arm rests – Tiltable and fold away
- Combination of black leather and fabric „Staccato“ (black) 1.5 mio. cycles (Martindale)
- Adjustable head rest, protective cover included
- Focus 24/7 features a back rest that tilts synchronously to the seating for best pelvic support while maintaining the angle between seat and back rest
- Easily adjustable head rest for extra head support when working with multi story monitor setups
- Back rest with integrated central lumbar support

**■ Dimensions**

- Seat width 505mm
- Max. seat depth 485 mm

- Back rest width 425mm
- Back rest height 705mm

**■ Material**

Fabric: „Staccato“ (black)  
Black leather  
1.5 mio. cycles (Martindale )

**■ Color**

- Fabric: black
- Castor base: Polished cast metal

**■ Supply schedule**

1 control room chair

**■ How supplied**

Preassembled

**■ Please note:**

- Many other configurations available on request:
- Hard castors for carpet surfaces
  - Further fabric or leather paddings on request
  - All leather
  - Extra large multi arm rests in black leather
  - Protective side padding to prevent wear caused by holstered sidearm

| Model           | Description            | Order no.           | UP     |
|-----------------|------------------------|---------------------|--------|
| AXIA Focus 24/7 | With Flip-up arm rests | <b>00.350.060.9</b> | 1 unit |



ACC20002

### Control Room Chair AXIA Plus 24/7 24/7, head rest, arm rest, clip-on padding

- For 24/7 use in control and surveillance rooms and emergency centers
- Maximum load: up to 170kg (375 lbs.)
- Seating depth ambidextrously adjustable 38 - 48 cm
- Height of back rest adjustable by 6 cm
- Seating height ambidextrously adjustable 39 - 52 cm
- Load Adjustment 40-150 kg (88 – 330lbs.) below front edge of the seat
- Height of arm rests adjustable 20 – 31 cm
- Fabric „Staccato“ (black) 1.5 mio. cycles (Martindale)
- Adjustable head rest, protective cover included
- Axia 24/7 features a back rest that tilts synchronously to the seating for best pelvic support while maintaining the angle between seat and back rest
- Easily adjustable head rest for extra head support when working with multi story monitor setups
- Arm rests move with the seat in order to give full support also when leaning back

**■ Dimensions**

- Seat width 515 mm
- Max. seat depth 485 mm

- Back rest width 485 mm
- Back rest height 510 mm

**■ Material**

Fabric: „Staccato“ (black)  
1.5 mio. cycles (Martindale )

**■ Color**

- Fabric: black
- Castor base: Polished cast metal

**■ Supply schedule**

1 control room chair

**■ How supplied**

Preassembled

**■ Please note:**

- Many other configurations available on request:
- Hard castors for carpet surfaces
  - Further fabric or leather paddings on request
  - All leather
  - Additional pneumatic lumbar support
  - Extra large multi arm rests in black leather

| Model          | Description    | Order no.           | UP     |
|----------------|----------------|---------------------|--------|
| AXIA Plus 24/7 | With arm rests | <b>00.350.079.9</b> | 1 unit |



ACC20003

### Control Room Chair – Swivel Chair 24/7 RECARO Guard L

- For 24/7 use in Control and Surveillance Rooms, Emergency Centers and ATC/ATM
- Height adjustable and tiltable head rest
- Double chamber lumbar support
- Frame and padding made from heavy duty materials
- Tilttable flip-up arm rests
- Tested for maximum load
- Ambidextrous handle for backrest angle
- Ergonomic padding for maximum seating comfort
- Heavy duty Free Tilt mechanism, lockable in 3 positions
- Individually adjustable to user weight (ca. 60 - 130 kg / 130 - 285 lbs.)
- Extra strong gas spring for height adjustment
- Extra large castor base for best stability
- Adjustable thigh support
- Soft castors for hard surfaces
- GS certified
- British Standard

**Technical Data**

- Width and height of backrest 520 x 620 mm
- Width and depth of seat 550 x 560 mm

- Width and depth of arm rests 74 x 324 mm
- Height adjustment of headrest 0 – 80 mm
- Tilting of headrest 0 – 35°

**Material**

Seat and backrest: Faux leather

**Color**

- Fabric / leather: Black
- Castor base: Polished aluminum

**Supply schedule**

- 1 Control Room Swivel Chair 24/7 RECARO Guard L
- 1 Protective Cover for head rest

**How supplied**

Assembled

**Please note:**

Hard castors for carpet surfaces available

| Model                                  | Order no.    | UP     |
|--|--------------|--------|
| Control Room Chair 24/7 RECARO Guard L | 00.350.072.1 | 1 unit |



ACC20004

### Control Room Chair – Swivel Chair 24/7 Save Three

- For 24/7 use in Control and Surveillance Rooms, Emergency Centers and ATC/ATM
- Comfortable ergonomic padding
- Full leather lateral flanges, breathing and moisture regulating fabric center liner
- Height adjustable and tiltable head rest
- Backrest adjustable 0°-16°
- Heavy duty, lockable Free Tilt mechanism
- Individual adjustment to user weight
- Extra large castor base for best stability
- Extra strong gas spring for height adjustment
- Gas main spring with end point cushioning
- Allows for dynamic as well as steady seating
- 10 cm (4") wide tilttable flip-up arm rests
- Inflatable lumbar support in the lower back area
- Soft castors for hard surfaces

**Technical Data**

- Width and height of backrest 490 x 650 mm
- Width and depth of seat 520 x 520 mm

- Width and height of headrest 280 x 170 mm
- Width and depth of arm rests 80 x 350 mm

**Material**

Seat and backrest: Leather Fabric Camira

**Color**

- Fabric / leather: Black
- Castor base: Polished aluminum

**Supply schedule**

- 1 Control Room Chair Save three
- 1 Protective Cover for head rest

**How supplied**

Assembled

**Please note:**

Hard castors for carpet surfaces available

| Model                              | Order no.    | UP     |
|------------------------------------|--------------|--------|
| Control Room Chair 24/7 Save Three | 00.350.070.1 | 1 unit |

Dimensions in mm: W = Width, H = Height, D = Depth, h = Installation height, d = Useful depth, L = Length, HU = Standard height unit, 1 HU = 44.45 mm, 19" = 482.6 mm, (ideal for 19" components in acc. with DIN 41494), UP = Unit of packaging, kg = Weight, Conversion: 1 inch = 25.4 mm, 1 pound = 453.6 g, Replace „x“ with the number of your color choice





ACC20005

## 24/7 Control Room Chair Mr. 24

- Our top selling Control Room Chair
- Generous seat and backrest for maximum comfort
- Long backrest with integrated adjustable lumbar support, Similarmechanic opens up to 32° and stepless adjustment of back leaning angle - Adjustable sliding seat allows for adaption to individual leg length
- Height adjustable black leather head rest
- Seat and back rest tilt synchronously to body movement
- Individual main spring adjustment for different user weights
- Permanent dorsal support also when leaning all the way back
- Sedo-Lift-Mechanic for best cushioning also in lowest seating position
- Extra robust arm rest for 24/7 use
- Soft castors for hard surfaces
- GS approved
- British Standard approved
- Seating width and depth: 470 x 400 mm
- Height adjustment of head rest: 50 mm
- Neck rest width and height: 360 x 150 mm
- Similarmechanic suitable for up to persons of up to 200 kg / 440lbs.

- Max. back rest tilt: 32°
- Seat height adjustment: 420 – 515 mm
- Arm rest height adjustment: 190 – 300 mm
- Arm rest width adjustment: 2 x 50 mm
- Arm rest depth adjustment: 80 mm

### Material

- Set 2G8 black 72%CraduraTM, 16% new wool, 12% Cellulose
- 150.000 cycles (Martindale)
- DIN EN 1021-1/2

### Color

- Fabric: black
- Castor base: black

### Supply schedule

1 Control Room Chair

### How supplied

Pre assembled

### Please note:

- Hard castors for carpet surfaces available
- Many other configurations available on request

| Model                                      | Order no.           | UP     |
|--|---------------------|--------|
| Mr. 24h, black fabric, armrests, head rest | <b>00.350.073.9</b> | 1 unit |
| Protective cover for head rest             | <b>00.350.074.9</b> | 1 unit |

## 24/7 Control Room Chair black dot 24h



ACC20006

- Proven Control Room Chair for dynamic seating
- Suitable for users up to 150 kg / 325lbs.
- Similarmechanic with heavy duty springs
- Integrated sliding seat (seat depth adjustable 400 to 460 mm)
- Comfortable, reinforced seat padding, Seating width max. 495 mm
- Height adjustable lumbar support
- Sedo-Lift-Mechanic (390 to 520 mm seat height),
- Black aluminum cast castor base
- Similarmechanic with adjustable springs
- Sedo-Lift-Mechanic
- Back rest with black net fabric
- 3-D softtouch armrests
- Height adjustable black leather head rest
- Soft castors for hard surfaces

### Material

- Set 2G8 black 72%CraduraTM, 16% new wool, 12% Cellulose
- 150.000 cycles (Martindale)
- DIN EN 1021-1/2

### Color

- Fabric: black
- Castor base: black

### Supply schedule

1 Control Room Chair

### How supplied

Pre assembled

### Please note:

- Hard castors for carpet surfaces available
- Many other configurations available on request

| Model   | Order no.           | UP     |
|---|---------------------|--------|
| black dot 24h, black net fabric, arm rests, head rest | <b>00.350.031.9</b> | 1 unit |



ACC20007

se:do Membrane, with armrests



ACC20008

se:do Cushion, with armrests



ACC20009

se:do also ESD version available

## se:do

se:do's special features include ergonomic functions that are easy to adjust, ensuring that alternating users will always have a healthy and comfortable sitting posture. se:do has an ergonomically formed seat pan and a height-adjustable backrest with a wide opening angle, which provides maximum back support in all positions. The Sedus "similar" mechanism allows the seat and backrest to always move in sync with the body. Numerous adjustment options round off the ergonomic properties, making every user feel relaxed and comfortable – up to 130kg of body weight.

- Backrest pressure finely graduated adjustable
- Integrated adjustable lumbar support (80mm)
- Height-adjustable tall backrest (610 – 690 mm)
- Backrest width 465 mm
- Height-adjustable plastic armrests (190 – 290 mm), clear span 490 – 510 mm (dependent on model)
- Robust five-wheel plastic base
- "Similar" mechanism with spring tension quick adjustment
- Gas spring with mechanical depth suspension
- Sliding seat (with 60 mm depth adjustment, dependent on model)
- Adjustable seat inclination (4°)
- Backrest comfortably upholstered or with breathable membrane cover
- Soft castors for hard floors

Also available in a conductive version for ESD workstations.

### Material

- Fabric wool Fame F60999 black 200.000 abrasion runs according to Martindale DIN 4102:B2 normal flammability (Cushion)
- Self-supporting knitted Polyester (membrane)
- ESD version: Gaja anti-static black 2A1 100% new wool 50.0000 abrasion runs according to Martindale DIN 4102:B2 normal flammability
- Five-wheel plastic base: black

### Certificates

- GS Safety label of TÜV Rheinland LGA products GmbH / DIN EN 1335
- Ergonomics certificate of TÜV Rheinland LGA Products GmbH
- Tested for harmful substances by TÜV Rheinland LGA Products GmbH
- Quality Office certificate
- AGR certificate
- 5 year warranty

### Supply schedule

1x swivel chair

### Note

- Available upon request:
- Hard castors for soft floors
- Additional versions and covers

| Type               | Model                          | Order no.           | UP     |
|--------------------|--------------------------------|---------------------|--------|
| Swivel chair se:do | Membrane, without armrests     | <b>00.350.061.9</b> | 1 unit |
| Swivel chair se:do | Membrane, with armrests        | <b>00.350.062.9</b> | 1 unit |
| Swivel chair se:do | Cusion, without armrests       | <b>00.350.063.9</b> | 1 unit |
| Swivel chair se:do | Cushion, with armrests         | <b>00.350.064.9</b> | 1 unit |
| Swivel chair se:do | Cushion, without armrests, ESD | <b>00.350.065.9</b> | 1 unit |
| Swivel chair se:do | Cushion, wit armrests, ESD     | <b>00.350.066.9</b> | 1 unit |

Dimensions in mm: W = Width  
 H = Height  
 D = Depth  
 h = Installation height  
 d = Useful depth  
 L = Length

HU = Standard height unit, 1 HU = 44.45 mm  
 19" = 482.6 mm, (ideal for 19" components in acc. with DIN 41494)  
 UP = Unit of packaging  
 kg = Weight

Conversion: 1 inch = 25.4 mm  
 1 pound = 453.6 g

Replace „x“ with the number of your color choice



## > Professional



ACC20010

### Swivel Chair black dot net, long back rest

- Classic swivel chair with long net fabric back rest. Fits into offices and control rooms
- Stepless adjustable and lockable back rest
- Integrated sliding seat
- Black aluminum cast castor base
- Similar mechanic with adjustable springs
- Compressed gas main spring
- Color scheme: black
- 3-D softtouch armrests
- Integrated height adjustable lumbar support
- Soft castors for hard surfaces

#### Material

- Set 2G8 black 72% Cradura™, 16% new wool, 12% Cellulose
- 150,000 cycles (Martindale)
- DIN EN 1021-1/2

#### Color

- Fabric: black
- Castor base: black

#### Supply schedule

1 Swivel Chair

#### How supplied

Pre assembled

#### Please note:

- Hard castors for carpet surfaces available
- Many other configurations available on request

| Model   | Order no.           | UP     |
|---|---------------------|--------|
| black dot net with arm rests, long back rest, black | <b>00.350.033.9</b> | 1 unit |



ACC20011

### Sit/Stand Chair Smile

Intelligent and compact sit/stand chair. Smile facilitates to work the main part of the day while standing.

- 12-step mechanical height adjustment
- Seating height 650 - 870 mm
- Aluminum locking knob
- Extruded aluminum main stand
- Padded seat
- Folding steel front stand
- Total Weight: 4 kg

#### Material

Black microfiber 09L

#### Color

- Fabric: black
- Foot and front stand: black
- Main stand: aluminum, natural hard anodized

#### Supply schedule

1 Sit/stand chair

#### How supplied

Assembled

#### Please note:

Other configurations available on request

| Model                        | Order no.           | UP     |
|------------------------------|---------------------|--------|
| Sit/stand chair Smile, black | <b>00.350.034.9</b> | 1 unit |

## Meeting



ACC20012

### Visitor's Chair black dot Cantilever

- Aesthetic visitor's chair for conference rooms and reception areas
- Stackable
- Black cantilever frame
- Robust Ø 25 mm / 1" steel pipe
- Plastic skids
- Plastic arm rests

#### Material

- Set 2G8 black 72% Cradura™, 16% new wool, 12% Cellulose
- 150.000 cycles (Martindale)
- DIN EN 1021-1/2

#### Color

- Fabric: black
- Cantilever frame: black

#### Supply schedule

1 Visitor's Chair

#### How supplied

Pre assembled

#### Please note:

- Felt skids are available for glossy surfaces
- Many other configurations available on request

| Model  | Order no.           | UP     |
|--|---------------------|--------|
| black dot Cantilever with armrests, stackable, black | <b>00.350.032.9</b> | 1 unit |



DAC80003

Yeah visitor's chair

### Visitor's Chair Yeah

- Ergonomic and durable standard chairs for office, control room, electronics workstations and conference room.

#### Material

- New wool Fame F60999 black 200.000 cycles (Martindale) DIN 4102: B2 (normal flammability)
- ESD version: Gaja Antistatic black 2A1 100% new wool 50.000 cycles (Martindale) DIN 4102: B2 (normal flammability)

#### Color

Fabric: black

#### Supply schedule

1 Visitor's chair

#### How supplied

Assembled

| Type                 | Model                        | Order no.           | UP     |
|----------------------|------------------------------|---------------------|--------|
| Visitor's chair Yeah | Without arm rests, stackable | <b>00.350.047.9</b> | 1 unit |

Provided for use with the kind permission of Sedus Stoll AG.  
Unauthorised use is prohibited.

Dimensions in mm: W = Width  
H = Height  
D = Depth  
h = Installation height  
d = Useful depth  
L = Length

HU = Standard height unit, 1 HU = 44.45 mm  
19" = 482.6 mm,  
(ideal for 19" components in acc. with DIN 41494)

UP = Unit of packaging  
kg = Weight

Conversion: 1 inch = 25,4 mm  
1 pound = 453,6 g

Replace „x“ with the number of your color choice



# Workplace Lighting

12 to 20



# Workplace Lighting

## Task

|                             |    |
|-----------------------------|----|
| Knürr Task LED              | 13 |
| Knürr Task LED Flex         | 13 |
| LED Desk Lamp Taneo         | 14 |
| LED Magnifying Lamp Tevisio | 14 |
| Lamp Mounting Adapter       | 15 |

## Workstation

|                   |    |
|-------------------|----|
| Knürr Console LED | 16 |
| Knürr Lumax LED   | 17 |
| Knürr Smart LED   | 18 |

## Room Level

|                           |    |
|---------------------------|----|
| Knürr Console LED pendant | 19 |
| Knürr Console LED stand   | 20 |
| Knürr Control LED remote  | 20 |

## Levels Of Workplace Lighting

**From an ergonomic point of view a workplace structures in several access areas. Knürr divides these in three different areas:**

### ■ Task

Area of immediate manual activity. Space for mouse, keyboard, writing utensils and communication devices. Task lights are meant to selectively illuminate the area directly in front of the operator. This light shall not affect other workstations and can be dimmed and adjusted.

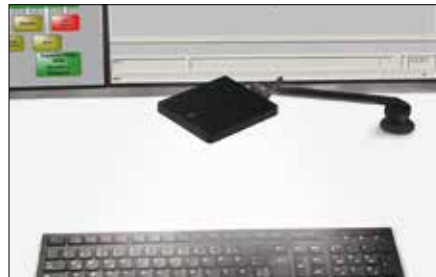
### ■ Workstation

Area of immediate manual activity and furthermore the complete remaining work surface of the

console. Installed with overhead extension arms or as underfit lamp. Light sources allow 500 Lux for the working area. Precautionary over-sizing may compensate for LED fading over time. Control panels are situated in front below the worktop and in easy reach.

### ■ Room Level

Ceiling-mounted lamps are of advantage for an unobstructed view to a monitor wall. These overhead lamps illuminate the console with direct and indirect light and subsequently can be integrated in the room illumination. GST18 connector system, DALI and radio control allow for an easy installation.



DAA20082

Task



DAA20055

Workstation



ACC20013

Room Level

# Task



DAA20082

Knürr Task LED



DAA20083

Knürr Task LED L

• LED •

## Knürr Task LED

The Knürr Task LED is fitted with a bright LED lamp that provides pleasant task lighting and an easily accessible dimming button. A specially developed highly reflective plastic reflector ensures glare-free working. What's more, even with such impressive performance figures, the Knürr Task LED is surprisingly economical in terms of energy consumption, with only 8 W of installed consumption for an average illuminance of up to 700 lx.

- Light and easy to adjust to your individual position
- Specially developed reflector for glare-free lighting
- Switching and dimming with memory function via easily accessible control button in the luminaire head
- Automatic cut-off and switch-on behavior can be adjusted
- Maintenance free LED technology with a service life of up to 50,000 hours and more

### Technical data

- Color temperature neutral white 4,000 K
- Connected load 100-240 V; 50/60 Hz
- Power consumption approx. 8 W
- Luminous flux approx. 600 lm
- Luminous efficacy approx. 75 lm/W
- Illuminance efficiency factor 93 lx/W
- Color rendering index (CRI) >80 (typ.85)
- Supplied with 3 m mains lead and with mains plug type CEE 7 / 16 (Euro plug),
- Various fastenings as accessories

### Color

Aluminum black coated

### Supply schedule

1 Knürr Task LED  
(Please always order mounting adapter of choice)

| Description      | Model             | Order no.           | UP     |
|------------------|-------------------|---------------------|--------|
| Knürr Task LED   | 2 hinges (1 arm)  | <b>00.350.179.9</b> | 1 unit |
| Knürr Task LED L | 3 hinges (2 arms) | <b>00.350.174.9</b> | 1 unit |



DAA20081

Knürr Task LED Flex



DAA20054

Knürr Task LED Flex L

• LED •

## Knürr Task LED Flex

The Knürr Task LED Flex brings the combination of lighting quality, energy efficiency, and design to a new level. The richly contrasting interaction between angular and elliptical forms lends it a unique character. The advantages of its cleverly designed thermal management are plain to see: higher energy efficiency, longer service life, and less heating up.

- Light and easy to adjust to your individual position
- Specially developed reflector for glare-free working
- Switch-off and dimming with a light touch of the touch-LED
- Intelligent Auto-Off function (after 14 h) reduces power consumption
- Maintenance free LED technology with a service life of up to 50,000 hours and more

### Technical data

- Color temperature neutral white 4,000 K
- Connected load 100-240 V; 50/60 Hz
- Power consumption approx. 7 W
- Luminous flux approx. 400 lm
- Luminous efficacy approx. 57 lm/W
- Illuminance efficiency factor 64 lx/W
- Color rendering index (CRI) >80
- Supplied with 2.3 m mains lead and with mains plug type CEE 7 / 16 (Euro plug),
- Various fastenings as accessories

### Color

Aluminum anodized

### Supply schedule

1 Knürr Task LED Flex  
(Please always order mounting adapter of choice)

| Description           | Model                | Order no.           | UP     |
|-----------------------|----------------------|---------------------|--------|
| Knürr Task LED Flex   | Length approx. 30 cm | <b>00.350.169.9</b> | 1 unit |
| Knürr Task LED Flex L | Length approx. 90 cm | <b>00.350.165.9</b> | 1 unit |



# Task



ACC20022

Workstation lamp Taneo

## LED Workstation Lamp Taneo

### Technical data

- Fitted with: 24 x Light-emitting diode light color neutral white, 3800-4300 K, Color Rendering Index (CRI)=80
- Work equipment: electronic transformer
- Connected load: 100-240 V; 50/60 Hz
- Power consumption: approx. 31 W
- Glare-free: conical prismatic screen
- System of protection: IP 20
- Class of protection: II
- Usage: multi-function switch
- Luminaire body: material sectional, aluminum surface, anodised color, aluminum colored, anodised
- Lamp cover: acrylic clear
- Tubular sections: material tubular,

- aluminum section, surface anodized, Form tubular section upright, color aluminum colored anodised
- Balance of articulation joints: spring
- Weight (net): approx. 1.9 kg
- Mains lead approx. 3.3 m; mains plug CEE 7/XVI
- Fastening: screw-down flange,

### Supply schedule

1 LED Workstation lamp Taneo

### Please note

(Please always order mounting adapter of choice)

Picture: Herbert Waldmann GmbH & Co. KG

Order no.

00.350.167.9

UP

1 unit



ACC20023

LED Magnifier Lamp „Tevisio“

## LED Magnifier Lamp Tevisio

### Technical data

- Equipped with: 48 x LED, neutral white -3700 - 4200 K, color rendition index (CRI) 90
- Electronic transformer plug
- Mains: 100-240V; 50/60 Hz
- Power consumption: ca. 14 W
- Degree of protection: IP 20
- Protection class II
- Continuous dimming
- Multi-function switch
- Net weight: ca. 2.7kg
- BS 1363, CEE7/XVI, NEMA 1-15P
- Mounting: mounting flange, base
- Lense: 3,5 diopters

### Dimensions

- Diam. magnifier lens: D160 mm
- Mains cable: ca. 3,4 m
- Schuko type plug

### Material

Magnifier lens: glas

### Color/Surfaces

- Housing:
  - ABS, black
- Cover:
  - Polyamide, matte (PA)
- Swivel arm:
  - Extruded aluminum profile, clear anodized

### How supplied

1 LED Magnifier Lamp Tevisio

Picture: Herbert Waldmann GmbH & Co. KG

Order no.

00.350.155.1

UP

1 unit

# Task



DAA20053

Mounting adaptor for functional rail

ACC20014

Mounting adaptor for Dacobas-Profile (side)



DAA20085

Tabletop mounting adaptor

DAA20086

Tabletop mounting adaptor



DAC20036

Mounting adaptor for Dacobas-Profile (top)

CON20017

Mounting adaptor for Elicon-Profile (top)



ACC20050

Universal mounting adaptor

## Mounting Adaptors for Task LED Lamp

### Important information

Our workstation lamps are supplied as standard with a universal adapter. Please order the corresponding adapter for the respective Knürr Console.

### Versions

**- Functional rail**  
for Installation on functional rails as used with Ergocon, Elicon or Dacobas

**- Dacobas Profile**  
for T-Slot installation on Dacobas and Elicon profiles at any height

**- Tabletop**  
for direct installation in the tabletop

**- Dacobas/Elicon Profile (top)**  
for fixation at the top side of Dacobas or Elicon Profiles

**- Universal mounting adaptor**  
for fixation at tabletops with a max. height of 70mm

### Supply schedule

- 1 Adaptor  
- Mounting material

### Color/Surfaces

Plastic / Aluminum powder coated

| System                     | Color                  | Order no.           | UP     |
|----------------------------|------------------------|---------------------|--------|
| Functional rail            | RAL9006 white aluminum | <b>01.316.225.9</b> | 1 set  |
| Dacobas Profile            | RAL9006 white aluminum | <b>01.316.256.9</b> | 1 set  |
| Tabletop adaptor           | Black                  | <b>00.350.181.9</b> | 1 unit |
| Dacobas-Profile (top)      | RAL5008 grey blue      | <b>00.350.156.1</b> | 1 set  |
| Elicon-Profile (top)       |                        | <b>00.351.031.7</b> | 1 set  |
| Universal mounting adaptor | Black                  | <b>00.350.180.9</b> | 1 unit |

Dimensions in mm: W = Width  
H = Height  
D = Depth  
h = Installation height  
d = Useful depth  
L = Length

HU = Standard height unit, 1 HU = 44.45 mm  
19" = 482.6 mm,  
(ideal for 19" components in acc. with DIN 41494)  
UP = Unit of packaging  
kg = Weight

Conversion: 1 inch = 25.4 mm  
1 pound = 453.6 g  
Replace „x“ with the number of your color choice

# Workstation

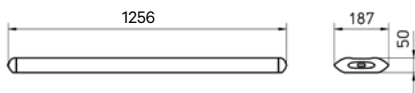


ACC20015

Knürr Console LED



## LED



## Knürr Console LED

### Highest Quality Of Light

The light dimming function adapts the amount of light to individual needs. Planar, homogeneous and flicker-free light relieves the eyes during work. Possible disturbing reflexions on bright surfaces are avoided with glare control.

### Task-oriented Technology

Knürr Console LED provides high illuminance and absolute glare-free illumination for perfect light at the workstation. The enclosed lamp housing with a flat and compact design prevents the intrusion of dirt and is easy to clean.

- Utmost homogenous glare- and flicker-free light
- Light output through parabolic louver for perfect glare suppression
- Continuously dimmable with lamp-mounted or remote switch
- Robust aluminum enclosure

### Finish

- Hard anodized white-aluminum
- Powder-coated RAL 9006 white aluminum

### Material

- Lamp enclosure: extruded aluminum, plastic

- Connection part: sheet-steel
- lamp rods: round steel tube

### Technical Data

#### Dimensions:

- Lamp enclosure: 1256 x 187 x 50 mm
- Round steel tube diameter 22 mm
- Weight: approx. 5.4kg

#### Light:

- Luminous flux 3200 lm
- Color of light: neutral white (EN 12464-1)
- Color temperature: 4000 K
- Color rendering index: Ra > 80

#### Electrical:

- Power consumption approx. 33 W
- Power supply: 220 – 240 V 50/60 Hz
- Integrated on/off switch
- 6 meter Schuko power cord

### Supply schedule

- 1 Knürr Console LED
- 2 Lamp rods
- Mounting material (for mounting to Knürr functional rail)
- version with external light dimming: 1 module with external button switch for on/off and dimming

| Model                  | Order no.           | UP     |
|------------------------|---------------------|--------|
| External light dimming | <b>00.350.177.9</b> | 1 unit |
| Internal light dimming | <b>00.350.178.9</b> | 1 unit |

Dimensions in mm: W = Width  
 H = Height  
 D = Depth  
 h = Installation height  
 d = Useful depth  
 L = Length

HU = Standard height unit, 1 HU = 44.45 mm  
 19" = 482.6 mm, (ideal for 19" components in acc. with DIN 41494)  
 UP = Unit of packaging  
 kg = Weight

Conversion: 1 inch = 25.4 mm  
 1 pound = 453.6 g

Replace „x“ with the number of your color choice

# Workstation



ACC20016

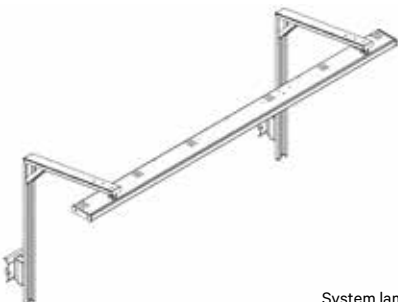


DAA20055

Knürr Lumax LED Lamp



Workstation lamp (underfit)



System lamp

## Knürr Lumax LED Lamp Workstation or system installation

- State of the art LED-Modules for highest efficiency
- Glare free
- Photometric properties checked according to DIN EN 13032-1
- Overdimensioned LED-Modules allow for dimming in the first years of use and thus grant extremely longevity
- Dimmable with „Touch DIM“ feature via push button on the lamp or at tabletop
- Perfect fit for Knürr consoles (adaptors for Knürr's multi functional rails)
- 20° tiltable

### Material

Sheet steel powder coated

### Color combinations

#### - Lamp:

Metallic grey microstructure

Side cover:

RAL 9007 grey aluminum microstructure

#### - Version system lamp:

.9 = supports in metallic grey microstructure

.7 = supports in RAL 9006 white aluminum

### Technical Data (W1140)

#### Dimensions:

- Width: 1140 mm
- Height: 30 mm (without mounting adapter)
- Depth: 100 mm

#### Light:

- Luminous flux 2160 lm
- Luminous efficiency: 80 lm/W
- Color temperature: 4000 K

- Color rendering index: Ra > 80
  - SDCM: 4
  - Dimming range: 1 – 100%
  - Average lifetime (LED): 50.000 h
- Electrical:**
- Power consumption max. 27 W
  - Power supply: 220 – 240 V 50/60 Hz

### Technical Data (W1700)

#### Dimensions:

- Width: 1700 mm
- Height: 30 mm (without mounting adapter)
- Depth: 100 mm

#### Light:

- Luminous flux 3255 lm
- Luminous efficiency: 83 lm/W
- Color temperature: 4000 K
- Color rendering index: Ra > 80
- SDCM: 4
- Dimming range: 1 – 100%
- Average lifetime (LED): 50.000 h

#### Electrical:

- Power consumption max. 39 W
- Power supply: 220 – 240 V 50/60 Hz

### Supply schedule

- 1x LED lamp with integrated LED driver
- Version with offset switch: 1x module with external push button for switching and dimming
- Overhead system lamp: with adaptors to Knürr's multi functional rail
- 1x Schuko lead (3m)
- Mounting material

### How supplied

Pre-assembled

| Description                      | Model  | Order no.           | UP     |
|----------------------------------|--|---------------------|--------|
| Knürr Lumax LED 1140U 4000K int. | Workstation lamp with integrated push button               | <b>00.350.182.9</b> | 1 unit |
| Knürr Lumax LED 1140U 4000K ext. | Workstation lamp with offset push button (below table top) | <b>00.350.183.9</b> | 1 unit |
| Knürr Lumax LED 1700U 4000K int. | Workstation lamp with integrated push button               | <b>00.350.186.9</b> | 1 unit |
| Knürr Lumax LED 1700U 4000K ext. | Workstation lamp with offset push button (below table top) | <b>00.350.187.9</b> | 1 unit |
| Knürr Lumax LED 1140B 4000K ext. | System lamp with offset push button (below table top)      | <b>00.350.185.7</b> | 1 unit |
| Knürr Lumax LED 1140B 4000K ext. | System lamp with offset push button (below table top)      | <b>00.350.185.9</b> | 1 unit |
| Knürr Lumax LED 1700B 4000K ext. | System lamp with offset push button (below table top)      | <b>00.350.189.7</b> | 1 unit |
| Knürr Lumax LED 1700B 4000K ext. | System lamp with offset push button (below table top)      | <b>00.350.189.9</b> | 1 unit |

# Workstation



ACC20017



ACC20018

Knürr Smart LED

## Knürr Smart LED

Modern LED underfit lamp for installation beneath a workstation superstructure level.

- LED technology for optimum energy efficiency
- Frosted glass cover prevents direct glare
- Integrated electronic power supply for a slim design
- Easy to reach on/off switch
- lamp tiltable by 15°
- Simple assembly

**Material**  
Sheet-steel, powder-coated

**Finish**  
Powder-coating RAL 9006 white-aluminum

**Technical Data**  
**Dimensions:**  
- Overall height: approx. 80 mm  
- Overall width: see table

### Light:

- Luminous flux:  
1100 lm (version W 700 mm)  
1780 lm (version W 1300 mm)
- Color of light: neutral white (EN 12464-1)
- Color temperature: 4000 K
- Color rendering index: Ra > 80

### Electrical:

- Power consumption max.  
10 W (version W 700 mm)  
18 W (version W 1300 mm)
- Power supply: 220 – 240 V 50/60 Hz
- Integrated on/off switch
- C13 mounting socket
- 2.0m Schuko power cord

### Supply Schedule

- 1 Lamp Smart LED
- 1 Mounting material
- 1 Power cord

| Model         | W    | Order no.           | UP     |
|---------------|------|---------------------|--------|
| Underfit lamp | 700  | <b>00.350.190.9</b> | 1 unit |
| Underfit lamp | 1300 | <b>00.350.191.9</b> | 1 unit |

Dimensions in mm: W = Width  
H = Height  
D = Depth  
h = Installation height  
d = Useful depth  
L = Length

HU = Standard height  
unit, 1 HU = 44.45 mm  
19" = 482.6 mm,  
(ideal for 19" components  
in acc. with DIN 41494)

UP = Unit of packaging  
kg = Weight

Conversion: 1 inch = 25.4 mm  
1 pound = 453.6 g

Replace „x“ with the number of your color choice



## Room Level

• LED •



ACC20019

Knürr Console LED pendant

### Knürr Console LED pendant

Pendant luminaire. Suspended ceiling mount in extra flat design does not block the view to large screen display walls with multiple console desks. Direct light portion with Edgelight and Lightguide technology for homogeneous light emission. Indirect light portion with Batwing diffusor for a wide light emission. Absolutely glare-free. Variable ceiling distance (0.3 – 0.7 m) allows use in room heights from 2.5 and 4.2 m. Easy installation: Only needed is a Schuko or GST18 socket in the ceiling. Lamp control with existing light management system (DALI) or with Knürr Control LED remote unit.

#### Finish

Powder-coated white

#### Material

- Sheet-steel, powder-coated
- Lamp cover: Acrylic (PMMA) clear (colorless)

#### Technical Data

- Fitted with LED
- Connection: 220 – 240 V; 50/60 Hz
- Power consumption: approx. 49 W
- Luminous flux: 7000 lm
- Luminous efficiency: 143 lm/W
- Direct light portion: approx. 34%
- Color of light: neutral white, approx. 4000 K
- Color rendering index: Ra > 80
- Color tolerance: < 3 SDCM
- Luminance: < 2500 cd/m<sup>2</sup>
- UGR class: < 16

#### Supply Schedule

- 1 Knürr Console pendant with radio-controlled receiver
- 1 Mounting material

#### Note

- Linking possible upon request. Please contact us!
- Wireless control Knürr Control LED to be ordered separately!

Picture: Herbert Waldmann GmbH & Co. KG

| Model                     | Order no.           | UP     |
|---------------------------|---------------------|--------|
| Knürr Console LED pendant | <b>00.350.193.9</b> | 1 unit |



ACC20013

## > Room Level



ACC20020

Knürr Console LED stand



ACC20021

### Knürr Console LED stand

Floor lamp for positioning in front or side of workstations. Ideal for subsequent improvement of the workstation light situation without installation. Glare-free with light emission through prism aperture. For room height between 2.5 and 3.5 m. Controlled with Knürr Control LED remote or existing light management system (DALI).

#### Finish

Powder-coated white

#### Material

- Sheet-steel powder-coated
- Lamp cover Acrylic (PMMA) clear (colorless)

#### Technical Data

- Fitted with LED
- Connection: 220 – 240 V; 50/60 Hz

- Power consumption: approx. 87 W
- Stand-by: approx. 0.30 W
- Luminous flux: 12000 lm
- Luminous efficiency: 136 lm/W
- Direct light portion: approx. 15%
- Color of light: neutral white, approx. 4000 K
- Color rendering index: Ra > 80
- Color tolerance: < 3 SDCM
- Luminance: < 2500 cd/m<sup>2</sup>
- UGR class: < 16
- Height: approx. 2040 mm

#### Supply Schedule

- 1 Knürr Console LED stand with radio-controlled receiver
- 1 Mounting material

#### Note

Wireless control Knürr Control LED to be ordered separately!

Picture: Herbert Waldmann GmbH & Co. KG

| Model                   | Order no.           | UP     |
|-------------------------|---------------------|--------|
| Knürr Console LED stand | <b>00.350.197.9</b> | 1 unit |

### Knürr Control LED remote

Modern workstation illumination are almost always controlled from a control panel below the tabletop front edge. The Knürr Control LED remote works without control cable from console to room ceiling by use of the Europe-wide approved 868 MHz standard (not susceptible to interference).

The usual control panel gets replaced by an identical unit with built-in radio transmitter. One or more room lights can be controlled from one control panel or also, several control panels can have access to the common room lighting.

#### Technical Data

- Connection: 220 – 240 V; 50/60 Hz
- Radio frequency: 868.3 MHz
- Connection: Schuko (control panel)

#### Supply Schedule

- 1 radio control unit (control panel)

| Model                    | Order no.           | UP     |
|--------------------------|---------------------|--------|
| Knürr Control LED remote | <b>00.350.199.9</b> | 1 unit |



Dimensions in mm: W = Width  
 H = Height  
 D = Depth  
 h = Installation height  
 d = Useful depth  
 L = Length

HU = Standard height unit, 1 HU = 44.45 mm  
 19" = 482.6 mm, (ideal for 19" components in acc. with DIN 41494)  
 UP = Unit of packaging  
 kg = Weight

Conversion: 1 inch = 25.4 mm  
 1 pound = 453.6 g

Replace „x“ with the number of your color choice



# Monitor Holder and Frames

22 bis 31



**INFO**

**Find more information in these brochures:**

Knürr Office Cabinets, 19"-Dacobas rack Program  
and Workstation for Electronic Engineers.



SYN20168



SYN20191

## Knürr SynergyWall® Strong points

- **Functionality and style:** A product family for uniform equipment and furnishing in the control room in a full-coverage modern design
- **Spacious cable management** with plenty of space for switches, cables and power supplies. Completely covered from screen through to raised floor.
- **Modular setup** – industrially produced modules can be upgraded and added to at all times; available to buy for many years to come. Electrically height adjustable version, that moves synchronously with coupled Synergy 4D Consoles available.
- **Application areas for the Knürr SynergyWall®**
  - TV studios, news studios
  - Process display in control rooms, control and measuring stations
  - Network Operation Centers (NOC)
  - Data centers – computer monitoring
  - Operation control centers – police, fire department, rescue services
  - Municipal traffic monitoring
  - Security systems, video monitoring
  - Airport and train station information terminals
  - Reception areas
- **Practical benefits**
  - Quick and easy to set up
  - Telescopic Monitor Mount for safe and comfortable installation of monitors
  - Precisely adjustable in all dimensions
  - Highest possible stability, even with large span widths
  - Low installation depth/lower space requirement – good fit for small control rooms
  - Option: Without stabilizer foot at the rear
  - The monitor wall can be positioned in the room, regardless of what the room is made of
  - Optional rear and front panel covers provide optimum protection for cables and plugs
  - Optional pedestals provide space for computers, power supplies and documentation

### INFO

We also offer LCD-screens for 24/7 use in control rooms as well as professional video control hard- and software in corporation with our well known partners. **Please let us know your requirements!**

Dimensions in mm: W = Width  
 H = Height  
 D = Depth  
 h = Installation height  
 d = Usable depth  
 L = Length

HEA = electronically height adjustable  
 HA = height-adjustable

UP = Unit of packaging  
 kg = Weight

Conversion: 1 inch = 25,4 mm

Replace „x“ with the number of your color choice



SYN20193



SYN20192

## Knürr SynergyWall® Basic Frame 4x 44" to 4x 65"

- Easy flat screen mounting between the monitor wall vertical extrusions
- Monitors are securely fixed to telescopic mounts

### Material

- Side panels – extruded aluminum with top cover, sheet steel side panel covers and stabilizer feet, powder-coated
- Crosspieces – extruded aluminum, powder-coated
- Monitor brackets: sheet steel, powder-coated

### Finish

- Side panel aluminum extrusions, cross extrusions: RAL 9006 white aluminum
- Side panel covers, stabilizer feet and large monitor holder: RAL 7021 dark grey
- Monitor brackets: black

### Dimensions

- Total width – 2630 mm
- Clear width – 2346 mm
- Side panel: height, 2400 mm; depth, 1245 mm, width, 107 mm

### Note

- Further sizes and variations possible on request

### Supply schedule

- 2 side panels, with integrated vertical cable routing and stabilizer feet front and rear for highest possible stability
- 4 crossbars for telescopic mounts
- Accessories for horizontal cable routing
- 4 telescopic monitor mounts, monitors from 44" resp. 550mm height up to VESA 600x400
- Mounting material

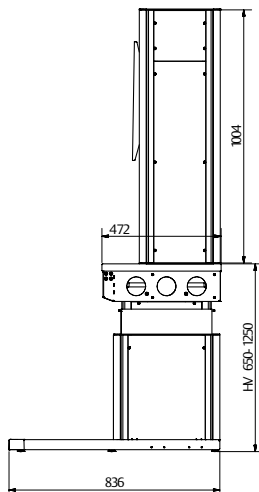
### How supplied

- Flat-packed kit, partially assembled

| W    | H    |   | Order no.           | UP     |
|------|------|---|---------------------|--------|
| 2630 | 2400 | SynergyWall Basic Frame with 4x telescopic mounts | <b>04.102.052.9</b> | 1 unit |



ACC20024



ACC20025

## Knürr SynergyWall® Height-adjustable Monitor Wall Single Screen (W1200) or Dual Screen (W2000)

- Monitor wall based on Synergy Advanced, electronically height-adjustable
- Height range of 600 mm
- Holds one monitor with max. VESA 800x400, 140kg/290lbs (Single) or
- Holds two monitors 42-65", VESA 400x400 and max 140kg/310lbs in total (Dual)
- Stand-alone operation or moving synchronously with coupled Synergy 4D console
- Desk tray underneath the worktop offers room for socket strips and switches
- Room for cables and socket strips on the upper side parts, detachable covers
- SynergyWall, electronically connected to desk height to guarantee a perfect view of the monitor wall while sitting or standing

### Material

- Vertical columns of side parts made of aluminum profile, powder-coated
- Covers, foot stabilizers, worktop stabilizers and desk tray made of sheet steel, powder-coated
- Plastic impact protection caps
- Worktop coating: high-pressure laminate

### Finish

- Base Frame
- Vertical profiles of side parts, desk tray and worktop stabilizer: RAL 9006 with aluminum
- Covers, foot stabilizers and foot caps: RAL 7021 dark grey

### Worktops:

- .1: worktop coating in RAL 7035 light grey and edge banding in RAL 7021 dark grey
  - .9: worktop coating in basalt grey and edge banding in RAL 7021 dark grey
- Replace "x" with the number of your color choice. Please also ask for custom surfaces

### Load Rating

- 1400N

### Supply schedule

- 1x Synergy Advanced frame with worktop, electrically height-adjustable
  - 2x SynergyWall side parts, mounted onto worktop
  - 1x crossbar with bracket for 1x monitor W1200 (or 2x monitors W2000)
  - 1x Technical compartment with cable chain
  - 2x sets of cover caps for worktop stabilizers (for desk and monitor wall)
- Dimensions:
- Desk width: 1233mm, desk depth 400mm
  - Desk height: 650 mm to 1250 mm
  - Total height: 1800 mm to 2300 mm

### How supplied

- Pre-assembled sets

| Type  | Order no.           | UP     |
|---|---------------------|--------|
| SynergyWall HV B1200 for 1 Monitor max. VESA 600x400                      | <b>04.414.350.x</b> | 1 unit |
| SynergyWall HV B2000 for 2 monitors 46" - 65", max. 140kg/310lbs in total | <b>04.414.352.x</b> | 1 unit |





SYN20195

SYN20207

## Knürr SynergyWall® Side Panel

- Design harmonized with Knürr SynergyConsole®
- Spacious cable management with plenty of space for switches, cables and power supplies
- Economically integrated cable routing
- Split covers inside for easy cable routing; full on the outside
- Long stabilizer foot for freely placing the panel in the room, or without stabilizer foot at the rear for wall positioning
- T-slots outside for connecting cross supports and inside for mounting Knürr DI-Strip® socket strips and cable routing elements

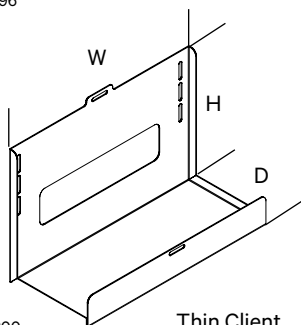
- Material**
- Extruded aluminum, powder-coated
  - Covers and stabilizer foot: Sheet steel, powder-coated

- Finish**
- Extruded aluminum, RAL 9006 white aluminum
  - Sheet steel components, RAL 7021 dark grey
- Dimensions**
- Height, 2400 mm
  - Width, 107 mm
  - Stabilizer foot: Depth 1245 mm, 783 mm or 321 mm
- Supply schedule**
- 1 side panel
- How supplied**
- Preassembled

| W   | H    | D    |                        | Order no.           | UP     |
|-----|------|------|------------------------|---------------------|--------|
| 113 | 2400 | 1245 | Side panel             | <b>04.102.035.9</b> | 1 unit |
| 113 | 2400 | 783  | Stabilizer foot, short | <b>04.102.036.9</b> | 1 unit |
| 113 | 2400 | 321  | Middle side panel      | <b>04.102.037.9</b> | 1 unit |



SYN20196



SYN20200

Thin Client

## Knürr SynergyWall® Cross Support

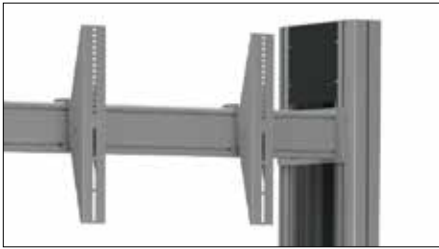
- Cross Support**
- For straight linking or in 10° angle
  - Extruded aluminum stable cross support
  - Depth-adjustable for optimum monitor arrangement
  - Spacious cable management with plenty of space for switches, cables and power supplies
  - Economical cable routing integrated in the cross support
  - With T-slots for mounting Knürr DI-STRIP® socket strips and cable routing elements
  - Internal or external on the side panels, and depth adjustable

- Thin Client Fixing Bracket**
- Mounted on the back of the Knürr monitor rails for short cable routing
  - Eyelets for optional retaining cords (not included in delivery)

- Material**
- Cross extrusion: Extruded aluminum, powder-coated
  - Adapter plates – aluminum, powder-coated

- Finish**
- RAL 9006 white aluminum
- Material/Finish (Thin Client Fixing Bracket)**
- Sheet steel, powder-coated
  - RAL 9006 white aluminum
- Dimensions**
- Height: 110 mm
  - External depth: 50 mm
  - Width: 2400 mm
- Supply schedule**
- 1 cross support
  - 2 adapter plates for connecting on the side panels
  - Mounting material
- How supplied**
- Flat-packed kit

| W    | H   | D   |                                     | Order no.           | UP     |
|------|-----|-----|-------------------------------------|---------------------|--------|
| 2400 | 110 | 50  | Complete cross support, straight    | <b>04.102.045.9</b> | 1 unit |
| 2400 | 110 | 50  | Complete cross support, 10° linking | <b>04.102.046.9</b> | 1 unit |
| 345  | 234 | 150 | Thin Client Fixing Bracket          | <b>04.412.195.8</b> | 1 unit |



SYN20197



SYN20209

## Knürr SynergyWall® Monitor Holder

- VESA adapter, quick and easy to hang on
- With safety screws against unintentional removal
- Angle stepless adjustable from +/- 15°
- Stepless depth adjustment +/- 10 mm

**Material/finish**  
Sheet steel, powder-coated

**Finish**  
RAL 9006 white aluminum

**Supply schedule**  
- 2 monitor holders  
- Mounting material

**How supplied**  
Pre-assembled

**Note**  
For monitors up to VESA 800x400, 70kg

|                      | Order no.           | UP     |
|----------------------|---------------------|--------|
| Large monitor holder | <b>04.102.048.9</b> | 1 pair |



SYN20198



SYN20199

## Knürr SynergyWall® Pop Out Videowall Mount

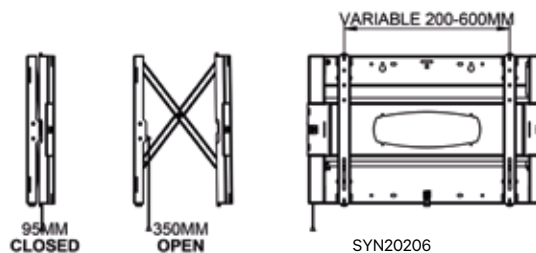
- Videowall mount for displays from 44", up to 45kg weight
- Suitable for displays up to VESA 600 x 400
- Simple push to pull pop out function
- Fully adjustable arms for easy display alignment
- Hand wheels assure fast tool less adjustment of display
- Adjustable spring tension for touch or narrow bezel applications
- Only 95mm deep

**Finish**  
Powder-coated, black

**Supply schedule**  
1x unit

**Note**  
Two cross extrusions needed if used with SynergyWall

|                         | Order no.           | UP     |
|-------------------------|---------------------|--------|
| Pop Out Videowall Mount | <b>04.102.068.9</b> | 1 unit |



Dimensions in mm: W = Width  
H = Height  
D = Depth  
h = Installation height  
d = Usable depth  
L = Length

HEA = electronically height adjustable  
HA = height-adjustable

UP = Unit of packaging  
kg = Weight

Conversion: 1 inch = 25,4 mm

Replace „x“ with the number of your color choice



ACC20026

## Wall Mounting Bracket Tiltable

- For large flatscreens up to VESA 600x400 (XL-version VESA 800x400)
- Easy mounting
- More viewing comfort – effortless tilting, prevents bothersome reflections
- Security lock against unauthorized flat screen removal
- Up to 79 kg load capacity

### Supply schedule

- 1 mounting rail
- 2 mounting brackets
- Mounting material

### How supplied

Flat-packed kit

### Dimensions

- Tilt angle +15° / -5°
- Wall distance 89 mm

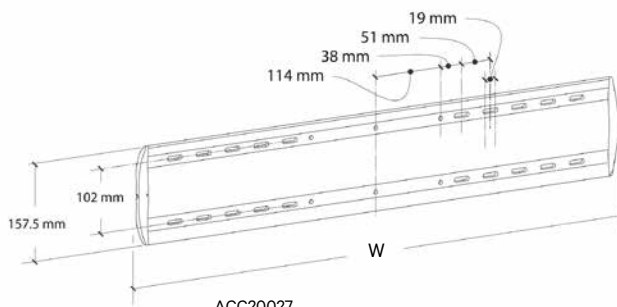
### Material

- Aluminum extrusion rail
- Sheet steel mounting bracket
- Plastic caps

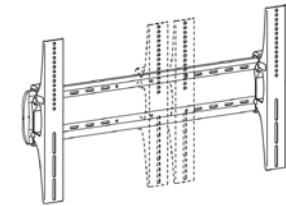
### Finish

Metal parts – powder-coated, RAL 9006, white aluminum

| W   | H     | D  |                                    | Order no.           | UP     |
|-----|-------|----|------------------------------------|---------------------|--------|
| 704 | 157,5 | 89 | Wall Mounting Bracket, tiltable    | <b>01.316.270.0</b> | 1 unit |
| 900 | 157,5 | 89 | Wall Mounting Bracket, tiltable XL | <b>01.316.271.0</b> | 1 unit |



ACC20027



ACC20028

## Monitor Ceiling Mount (200 cm)

- Robust and adjustable monitor ceiling mount. Securely fits LCD-, LED- and Plasma displays
- Power and signal cable run hidden inside the mounting tube
- Mounting tube rotatable for ideal monitor orientation
- For monitors from 40"
- Load rating up to 60 kg
- Inclination adjustable 0° - 11°
- VESA  
400x200, 600x200  
300x300  
400x400, 600x400

### Material/Finish

- Sheet-steel, welded
- Powder-coated RAL 7021 black-grey

### Supply Schedule

- Set, consists of
- ceiling plate
- mounting tube (2000 mm)
- Monitor adapter

### How Supplied

Set

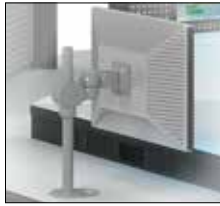
### Note

Additional mounting tube length available on request (1000mm and 3000mm)

| Type                  | Order no.           | UP     |
|-----------------------|---------------------|--------|
| Monitor Ceiling Mount | <b>01.316.262.9</b> | 1 unit |



DAA20044



DAA20043



DAA20045

## Monitor Mounts

Flat screen monitors are the main interface in today's control rooms between operator and system. According to ergonomic principles, monitors should always be easily adjustable towards the user and allow for quick change in order to reduce maintenance time to a minimum.

Dacobas Advanced Control Room Consoles can be equipped with the following monitor mounts while keeping all flexibility:

### Functional Rail on Dacobas Profile Extensions

Large range of accessories like monitor arms, lighting, and much more make the Functional Rail a versatile platform. Mounts between two vertical profiles and a perforated rear panel.

### Add on Monitor Poles

- For single or two story installation
- Free placement on the worktop
- Best view on everything behind the console

### Functional Rail Add on Monitor Level

Besides the various options of the standard Functional Rail, this version also offers an electric height adjustment in option. This allows a better view on videowalls behind the console.

For additional information see also our catalogue "Ergonomic Flat Screen Supports".

### Surface

RAL 6009 White aluminum

| W                    | H    | Type | Model                                      | Order no.           | UP     |
|----------------------|------|------|--|---------------------|--------|
| 570                  |      | Duo  | Knürr Dacobas*                             | <b>01.316.280.9</b> | 1 unit |
| 630                  |      | Duo  | Knürr Dacobas*                             | <b>01.315.170.9</b> | 1 unit |
| 830                  |      | Duo  | Knürr Dacobas*                             | <b>01.315.171.9</b> | 1 unit |
| 1030                 |      | Duo  | Knürr Dacobas*                             | <b>01.315.172.9</b> | 1 unit |
| 1140                 |      | Duo  | Knürr Dacobas*                             | <b>01.316.282.9</b> | 1 unit |
| 1200                 |      | Duo  | Knürr Dacobas*                             | <b>01.316.283.9</b> | 1 unit |
| 1230                 |      | Duo  | Knürr Dacobas*                             | <b>01.315.173.9</b> | 1 unit |
| 1430                 |      | Duo  | Knürr Dacobas*                             | <b>01.315.174.9</b> | 1 unit |
| 1600                 |      | Duo  | Knürr Dacobas*                             | <b>01.316.284.9</b> | 1 unit |
| 1630                 |      | Duo  | Knürr Dacobas*                             | <b>01.315.175.9</b> | 1 unit |
| 1710                 |      | Duo  | Knürr Dacobas*                             | <b>01.316.285.9</b> | 1 unit |
| 1830                 |      | Duo  | Knürr Dacobas*                             | <b>01.315.176.9</b> | 1 unit |
| 2030                 |      | Duo  | Knürr Dacobas*                             | <b>01.315.177.9</b> | 1 unit |
| 45°-corner           |      | Duo  | Knürr Dacobas*                             | <b>01.315.180.9</b> | 1 unit |
| 90°-wall corner      |      | Duo  | Knürr Dacobas*                             | <b>01.315.181.9</b> | 1 unit |
| 90°-trapezoid corner |      | Duo  | Knürr Dacobas*                             | <b>01.315.182.9</b> | 1 unit |
| 800                  |      | Duo  | Knürr Elicon*                              | <b>04.208.210.9</b> | 1 unit |
| 1000                 |      | Duo  | Knürr Elicon*                              | <b>04.208.211.9</b> | 1 unit |
| 1200                 |      | Duo  | Knürr Elicon*                              | <b>04.208.212.9</b> | 1 unit |
| 1400                 |      | Duo  | Knürr Elicon*                              | <b>04.208.213.9</b> | 1 unit |
| 1600                 |      | Duo  | Knürr Elicon*                              | <b>04.208.214.9</b> | 1 unit |
| 1800                 |      | Duo  | Knürr Elicon*                              | <b>04.208.215.9</b> | 1 unit |
| 2000                 |      | Duo  | Knürr Elicon*                              | <b>04.208.216.9</b> | 1 unit |
|                      | 400  |      | Add on Monitor Poles                       | <b>01.316.233.9</b> | 1 unit |
|                      | 700  |      | Add on Monitor Poles                       | <b>01.316.234.9</b> | 1 unit |
|                      | 1600 |      | Monitor Level, circular                    | <b>93.200.317.3</b> | 1 unit |
|                      | 1600 |      | Monitor Level, circular, height adjustable | <b>93.200.314.3</b> | 1 unit |

Dimensions in mm: W = Width  
H = Height  
D = Depth  
h = Installation height  
d = Usable depth  
L = Length

HEA = electronically height adjustable  
HA = height-adjustable

UP = Unit of packaging  
kg = Weight

Conversion: 1 inch = 25,4 mm

Replace „x“ with the number of your color choice



CIC20031

Type D



CIC20032

Type E



CIC20033

Type F



CIC20034

Type G



KON20086

Single connector



ERG00042

Double connector

## Monitor Arms

- Monitor arms for mounting flat screens with the 75 and 100 mm VESA mounting
- With cable management

### Supply schedule

- 1 flat screen support
- Type E, F and G come with height adjustment plate
- Mounting material

### How supplied

Flat-packed kit

### Type D-G

- For mounting on Knürr double functional rails
- Swivel arm depth adjustment or gas spring arms for individual height adjustment
- Quick mounting rail adapters
- Free placement on horizontal double functional rails

### Finish / Material Type D-G

- Swivel arm: die-cast aluminum
- Adapter plates: sheet steel
- Gas spring arm covers: plastic
- Metal parts: powder-coated, RAL9006 White aluminum, smooth
- Gas spring arm housing – type B/C:
- Plastic, light grey

### Type H

- With extension arm
- Integrated gas spring
- With quick connector function (01.316.257.9 and 01.316.258.9)

### Finish / Material Type H

- Gas spring arm housing: Die-cast aluminum, silver
- Extension arm: Aluminum, silver

| Model                                       | Height adjustment plate | Load-bearing capacity | Order no.           | UP     |
|---|-------------------------|-----------------------|---------------------|--------|
| Type D, short                               |                         | 12 kg                 | <b>01.316.210.9</b> | 1 unit |
| Type E, medium (180 mm)                     | •                       | 10 kg                 | <b>01.316.211.9</b> | 1 unit |
| Type F, long (250 mm)                       | •                       | 10 kg                 | <b>01.316.212.9</b> | 1 unit |
| Type G, double joint (180 + 250 mm)         | •                       | 8 kg                  | <b>01.316.213.9</b> | 1 unit |
| Type H, Gas spring arm for rail             |                         | 4 - 9 kg              | <b>01.316.257.9</b> | 1 unit |
| Type H, Gas spring arm with desk clamp      |                         | 8 - 15 kg             | <b>01.316.258.9</b> | 1 unit |
| Type H, Gas spring arm for rail, heavy duty |                         | 8 - 12 kg             | <b>01.316.259.9</b> | 1 unit |
| Mounting Adaptor IM-Profile                 |                         |                       | <b>01.316.214.9</b> | 1 unit |
| Type D, for Pole                            |                         | 6 kg                  | <b>01.316.250.9</b> | 1 unit |
| Type E, for Pole                            | •                       | 6 kg                  | <b>01.316.251.9</b> | 1 unit |
| Type F, for Pole                            | •                       | 6 kg                  | <b>01.316.252.9</b> | 1 unit |
| Type G, for Pole (2x180mm)                  | •                       | 6 kg                  | <b>01.316.253.9</b> | 1 unit |
| Single connector                            |                         |                       | <b>01.316.224.9</b> | 1 unit |
| Double connector                            |                         |                       | <b>01.316.227.9</b> | 1 unit |

### Please note

Monitor arms for monitor poles come without mounting adaptors for functional rails. In order to install with monitor poles, please also order single or double connector.

**Please observe the leverage ratio and load bearing capacity from the following table of add-on monitor posts.**



DAC20191

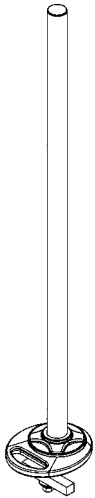
Type H



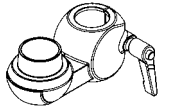
DAA20059

IM profile adaptor

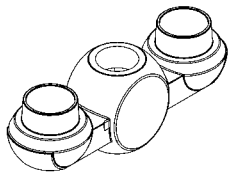
## Load bearing matrix for add-on monitor posts



ACC20029



Single connector



Double connector

| Maximum weight per monitor (kg)           | Type D (short) | Type E (180mm) | Type F (250mm) | Type G (360mm) |
|---|----------------|----------------|----------------|----------------|
| <b>Height 400<br/>1x single connector</b> | <b>6 kg</b>    | <b>6 kg</b>    | <b>6 kg</b>    | <b>6 kg</b>    |
| <b>Height 400<br/>1x double connector</b> | <b>4 kg</b>    | <b>4 kg</b>    | <b>4 kg</b>    | <b>4 kg</b>    |
| <b>Height 700<br/>2x single connector</b> | <b>6 kg</b>    | <b>5 kg</b>    | <b>4 kg</b>    | -              |

„-“ = combination not approved

**Attention:** Add-on monitor poles height 700 mm are not approved for use with double connectors!



DAC20175



DAC20176

### VESA Adapter Plates

- For adapting VESA 100/200 and VESA 200/200 threaded connections to VESA 75 and VESA 100
- Single adapter for monitors up to 12 kg
- Double adapter for monitors up to 24 kg on 2 Vesa 75/100 holders

- **Supply schedule**
  - 1 adapter plate
  - Mounting material

- **How supplied**  
Flat-packed kit

- **Material**  
Sheet steel

- **Finish**  
Powder-coated, RAL 9006, white aluminum

| W   | H   | Model  | Order no.           | UP     |
|-----|-----|--------|---------------------|--------|
| 220 | 220 | single | <b>01.316.244.9</b> | 1 unit |
| 501 | 250 | double | <b>01.316.245.9</b> | 1 unit |



ERG00040

### VESA Fast Change Plate

- Quick, tool-less monitor swap-out via spring balancer
- For adapting VESA 75/100 threaded connections
- With height adjustment holes
- Low installation depth – only 15 mm

- **Supply schedule**
  - 1 adapter plate
  - Mounting material

- **How supplied**  
Flat-packed kit

- **Dimensions**
  - Width 130 mm
  - Height 170 mm
  - Depth 15 mm

- **Material**  
Sheet steel

- **Finish**  
Powder-coated, RAL 9006, white aluminum

| W   | H   | D  | Order no.           | UP     |
|-----|-----|----|---------------------|--------|
| 130 | 170 | 15 | <b>01.316.239.9</b> | 1 unit |

Dimensions in mm: W = Width  
H = Height  
D = Depth  
h = Installation height  
d = Usable depth  
L = Length

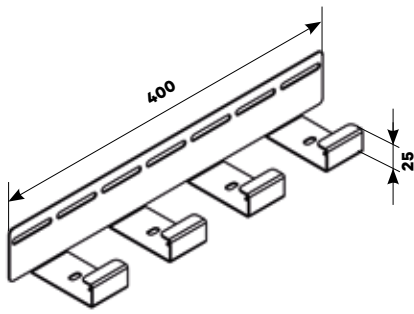
HEA = electronically height adjustable  
HA = height-adjustable

UP = Unit of packaging  
kg = Weight

Conversion: 1 inch = 25,4 mm

Replace „x“ with the number of your color choice





DAA20057

## Cable Duct Functional Rail 25 mm

- For structured cabling at the monitor level
- Finger design allows to let out cables exactly where needed
- Simple, retrofittable installation grace to plastic quick locks
- 400 mm elements, free placement

### Material / Finish

- Sheetsteel, powder-coated texture, RAL9006
- Plastic black

### Supply schedule

- 1 Cable duct segment
- Mounting material

### How supplied

flatpacked

### Please note

Please also ask for matching brush strips for dust cover!

| W   | Type  | Model           | Order no.           | UP     |
|-----|-------|-----------------|---------------------|--------|
| 400 | 25 mm | Functional rail | <b>04.300.414.9</b> | 1 unit |



DAC20091

Tray console 430 mm

## Accessories for Multi-Functional Rails

- Organizational elements, compatible design for Knürr multi-functional rails
- 430 mm console – also perfect as telephone stand

### Supply schedule

- 1x Organizational element

### How supplied

Complete

### Material

Sheet steel

### Finish

Powder-coated, RAL 9006, white aluminum

| Model               | Order no.           | UP     |
|---------------------|---------------------|--------|
| Tray shelf DIN A4   | <b>04.300.400.9</b> | 1 unit |
| Box with note pad   | <b>04.303.103.9</b> | 1 unit |
| Tray console 430 mm | <b>04.303.106.9</b> | 1 unit |



DAC20089

Box with note pad



DAC20082

Tray shelf DIN A4



DAC00447

## Cable Entry

- Cable entry for additional or retro cable input and output installation
- Type 1: 183 x 98 mm
- Type 2: diameter 80 mm

### Supply schedule

1 Cable entry, 3-piece

| Finish                  | Model  | Order no.           | UP     |
|-------------------------|--------|---------------------|--------|
| RAL 7035 light-grey     | Type 1 | <b>01.350.156.1</b> | 1 unit |
| RAL 7035 light-grey     | Type 2 | <b>01.350.145.1</b> | 1 unit |
| RAL 9011 graphite black | Type 1 | <b>01.350.156.5</b> | 1 unit |
| RAL 9011 graphite black | Type 2 | <b>01.350.145.5</b> | 1 unit |





# Miscellaneous Accessories

33 bis 35



**INFO**

Specific requirements?  
**Contact us for your individual solutions!**





ACC20030

## Nano Cleaning Sponge

- Specific cleaning sponge made from melamine-resin foam for gentle yet effective Nano-surface cleaning
- To remove stains on bright Nano-surfaces rub with dry or moist sponge, applying gentle pressure
- removes almost all types of stains

### Supply schedule

Set of 12 pieces

### Note

Sponges are unfit for human consumption. Abrasion dust: vacuum or clean with moist cloth. Test on unobtrusive position prior to use.

| Type            | Model                   | Order no.           | UP    |
|-----------------|-------------------------|---------------------|-------|
| Cleaning Sponge | white for Nano surfaces | <b>01.350.570.9</b> | 1 set |



ACC20031

## Personal Storage Drawer System for 24/7 Workstations

Full-extension drawer for personal storage tray during shift work

- Robust metal tray and drawer
- Drawer with integrated front handle

- During shift tray is stored in personal storage drawer and after work in the compartment cabinet



ACC20032

## Cabinet With Personal Storage Compartments for 24/7 Workstations

Valuables locker cabinet to secure personal storage trays after working hours

- Configurable and extendible for individual number of employees and tray size

- Available with individually lockable compartments or pigeon holes  
- Finishes available from our extensive lines of office storage furniture



ACC20033

## Wireless Qi Charger Station

Charge any Qi-capable devices without cable or other accessories. Improved safety as no sockets or USB connectors are needed to charge company-provided or personal devices. Charger will be hidden mounted on underside of desktop.

Simply place the device on the designated area of the surface to get it charged. Charging feedback comes from the device being charged. Designated surface area is marked by a discreet label.



ACC20034

## ErgoControl Controller

The ErgoControl Controller adds ergonomics to the Control Room Workstation. Operators always find their stored settings. Individual console settings like working height, monitor level and viewing distance as well as additional functions like lighting, sound volume or other building technology features are stored from a high-resolution touch display.

The multi-standards card reader recognizes existing entry cards (RFID, NFC) and identifies up to 1000 users. Each user can comfortably save and recall three personal con-

figuration settings. In installations with multiple workstations these individual settings are provided to each ErgoControl workstations instantly via network. Interfaces are available for networking with existing building and security technology.

Existing console workstations can be retrofitted with this system effortlessly. Existing actuator units (mounted under the front edge of the worktops) can still be used. Please feel free to contact us!

# Knürr Console Pods

Configured to meet individual demands



ACC20035

## Knürr Console Pods



ACC20036 Console pod for modular front panels

**Console pod for modular front panels**  
Front panel modules from aluminum for installation of emergency switches, lamps, key-switches, display devices, telecom devices, microphones etc. Console pods are freely positionable on work surface and will be screw-fixed. Clamping rail system for front panels. Front panel height 305mm. Rear with brush strip for cable entry.

**Material/Finish**  
- Corpus: Three-layer particle board version FP/Y E1, fire-protection class B2, directly coated in worktop design  
- Modular front panel, 19" frame insert: Aluminum, powder-coated.

**Upon request**  
- Front panel milled  
- Additional finishes



ACC20037 Console pod for modular front panels

**Console pod for 19" front panels**  
Console pod with inclined top, screw-fit to work surface. Front panels fixed in 19" insert frame. Front panel height 3,5,6 or 8 HU (please order front panel separately). Rear with brush strip for cable entry.



ACC20038 Console pod for 19" front panels



ACC20039 Tilt adjustment for built-in monitors



ACC20040 Tailor-made display integration



ACC20041



# Stand-Alone Furnishing

37 bis 39



## INFO

Find additional information in our brochure "Knürr Cabinets and Mobile Drawer Units"! **Please feel free to contact us!**



ACC20042



Standard color scubablue, please ask for further design colors



ACC20043



ACC20044



ACC20045

## Partition Walls

### Partition systems

- Execution in monobloc-design
- Bell-touch- connection, multi-surfaced
- Wall thickness 40 mm
- Frame of aluminum profiles
- Floor distance 70 mm
- Height adjustment to 30 mm
- Screen, fabric covered blue (Scuba)
- Top cover, anodized aluminum
- Velcro, anthracite
- Ground free space = 70 mm
- Filling = fireclass B1
- Ecological standard 100
- 100% recyclable
- No chemicals (as flame retardants) contained

- Sound absorbing
- Sound absorbing according to DIN EN ISO 354

- In the frequencies
  - 125 Hz as 0,12
  - 250 Hz as 0,24
  - 500 Hz as 0,51
  - 1000 Hz as 0,80
  - 2000 Hz as 0,95
  - 4000 Hz as 0,95

- Certificate DIN EN ISO 354

### Note

Wall attachment with 2 table top clamps on one side of 30 mm worktop

| W    | H    | Model          | Order no.           | UP     |
|------|------|----------------|---------------------|--------|
| 800  | 1100 | Partition wall | <b>04.303.634.9</b> | 1 unit |
| 1000 | 1100 | Partition wall | <b>04.303.635.9</b> | 1 unit |
| 1200 | 1100 | Partition wall | <b>04.303.636.9</b> | 1 unit |
| 1600 | 1100 | Partition wall | <b>04.303.637.9</b> | 1 unit |
| 1800 | 1100 | Partition wall | <b>04.303.638.9</b> | 1 unit |
| 2000 | 1100 | Partition wall | <b>04.303.639.9</b> | 1 unit |
|      |      |                |                     |        |
| 800  | 1600 | Partition wall | <b>04.303.644.9</b> | 1 unit |
| 1000 | 1600 | Partition wall | <b>04.303.645.9</b> | 1 unit |
| 1200 | 1600 | Partition wall | <b>04.303.646.9</b> | 1 unit |
| 1600 | 1600 | Partition wall | <b>04.303.647.9</b> | 1 unit |
| 1800 | 1600 | Partition wall | <b>04.303.648.9</b> | 1 unit |
| 2000 | 1600 | Partition wall | <b>04.303.649.9</b> | 1 unit |
|      |      |                |                     |        |
| 800  | 480  | Top wall       | <b>04.303.654.9</b> | 1 unit |
| 1000 | 480  | Top wall       | <b>04.303.655.9</b> | 1 unit |
| 1200 | 480  | Top wall       | <b>04.303.656.9</b> | 1 unit |
| 1600 | 480  | Top wall       | <b>04.303.657.9</b> | 1 unit |
| 1800 | 480  | Top wall       | <b>04.303.658.9</b> | 1 unit |
| 2000 | 480  | Top wall       | <b>04.303.659.9</b> | 1 unit |

## Feet

### Note

Feet RAL 9006 (white aluminum) must be ordered for your individual application purpose.

| W   | H  | D   | Model                        | Order no.           | UP     |
|-----|----|-----|------------------------------|---------------------|--------|
| 350 | 6  | 350 | Plate foot total             | <b>04.303.664.9</b> | 1 unit |
| 350 | 6  | 210 | Plate foot halfcircle        | <b>04.303.665.9</b> | 1 unit |
| 500 | 70 | 60  | Stabilizer foot              | <b>04.303.667.9</b> | 1 unit |
| 500 | 70 | 60  | Stabilizer foot with casters | <b>04.303.668.9</b> | 1 unit |

## INFO

Circular acoustic rear panels available upon request!

Dimensions in mm: W = Width  
H = Height  
D = Depth  
h = Installation height  
d = Useful depth  
L = Length

HU = Standard height unit, 1 HU = 44,45 mm  
19" = 482,6 mm,  
(ideal for 19" components in acc. with DIN 41494)  
UP = Unit of packaging  
kg = Weight

Conversion: 1 inch = 25,4 mm  
1 pound = 453,6 g

Replace „x“ with the number of your color choice



ACC20046

Extended unit with monitor holder and keyboard drawer

## Situation Desk / Meeting Desk as Operations Center during large-scale circumstances

- Individually electro-mechanically extendable monitor units, also with integrated keyboard drawers
- Built-in technical pedestal of high storage volume, with lockable doors for best access
- Cabling system, completely pre-installed for a safe power distribution
- With configurable socket modules
- Design tailored to the operations center consoles
- Scalable to individual projects
- Fully prepared and operational workstation



ACC20047



ACC20048

Sliding Board Wall unit with magnetic white boards

## Sliding Board Wall

- Sliding Board Wall in same design as furniture and operations center consoles
- Several versions:
  - White Board
  - Magnetic Board
  - Cork Pin Board
  - Optional: Sliding Board "Garage"
- Number, size and type of sliding boards as specified by project



ACC20049



Enclosure back

## Enclosure for large Screen Installations

- Several enclosure versions for the entire large-screen installation in consultation with the cube-wall manufacturer:
- straight or curved
  - Free-standing or fitted
  - with built-in ventilation or connected to the existing climate control system
  - Acoustically effective surfaces upon request
  - Back side with lockable hinged doors

Dimensions in mm: W = Width  
H = Height  
D = Depth  
h = Installation height  
d = Usable depth  
L = Length

HEA = electronically height adjustable  
HA = height-adjustable

UP = Unit of packaging  
kg = Weight

Conversion: 1 inch = 25,4 mm

Replace „x“ with the number of your color choice







# Knürr Acoustics

## Interior fitting and acoustics solutions

**In the last two decades room acoustics became the central focus in interior design. We are happy to support you in all phases of the planning and realisation of your acoustics projects, either by phone or on site.**

- Versatile and flexible
- Ideal sound absorption
- Quick and easy to assemble
- Many versions available
- Complete system includes substructure

### CPL/Melamine surfaces:



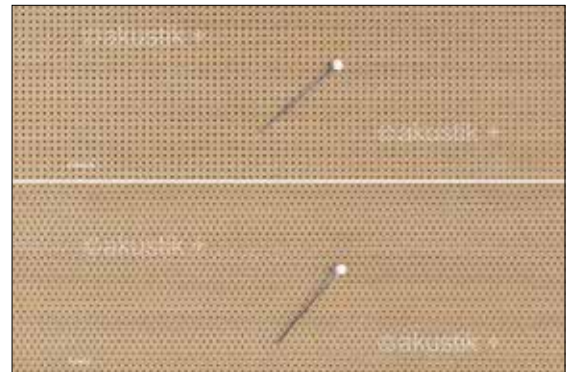
Platinum white

Sandbeige

Lakeland Acacia bright

Ferrara oak natural bright

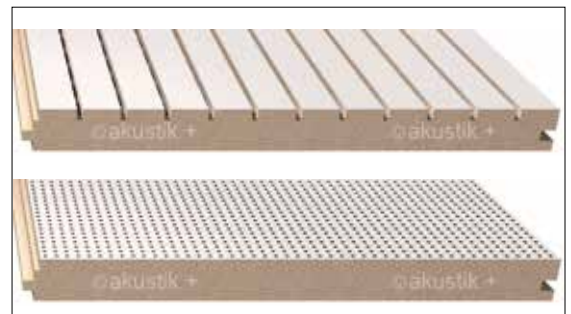
Arlington oak natural



*Large formats Panels available up to 3.5m length in several laminates, real wood veneers or painted. Tailor-made upon request.*



*Included are not only the panels but also the fitting substructure. Suitable for large walls and as acoustic retrofit for smaller rooms.*



*Slats The invinite-system can be flexibly fitted to all room situations and offer a modern, linear look. Choose from slotted or perforated elements.*

**Technical properties of the materials used are certified by test- and classification reports and certificates from acknowledged international institutes.**

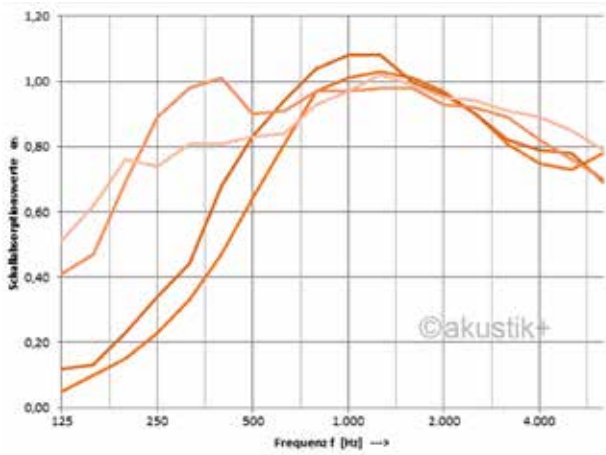
The products tests are carried out by independent experts (acoustic measures to DIN EN ISO 345 „Acoustics - Measurement of sound absorption in a reverberation room“) and mathematically evaluated after DIN EN ISO 11654. The frequency-dependent values of the sound

absorption coefficient and the single data (assessed sound absorption coefficient), NRC (Noise reduction Coefficient after ASTM C 423) and SAA (Sound Absorption Average) after ASTM C423) are available upon request. Only proven emmison- low or free materials in use.

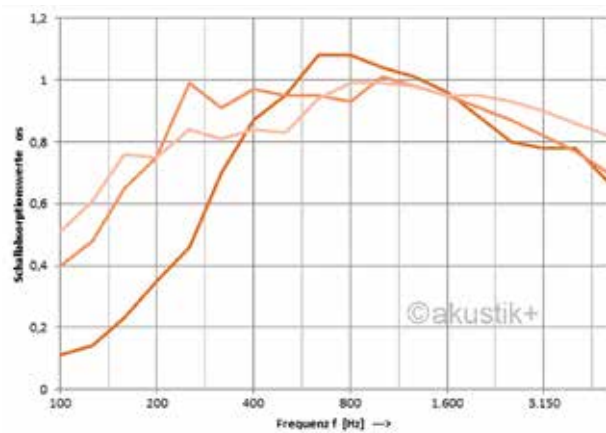




**Sound absorption values of Perforation CLASSIC (1,8/1,8/0,5mm)**



**Sound absorption values of Perforation FINEST (1,8/1,8/0,5mm)**





# Power Distribution and Socket Strips

43 to 63



# Power Distribution

## Knürr DI-STRIP®

|                          |    |
|--------------------------|----|
| Classic                  | 45 |
| Compact                  | 46 |
| Protector FI             | 47 |
| Protector LS             | 48 |
| Protector FI / LS        | 49 |
| Protector Emergency Stop | 50 |
| Protector Emergency Stop | 51 |
| FI / LS                  | 51 |
| Power Cleaner            | 52 |
| Safety Basic             | 53 |
| Safety Standard          | 54 |
| Master-Slave             | 55 |
| Combi                    | 56 |
| D                        | 57 |
| I                        | 58 |
| Euro socket system       | 59 |
| IEC 320                  | 59 |
| Power Distribution       | 60 |
| Accessories              | 60 |

## DI-STRIP® – Socket Strips for Professional Applications

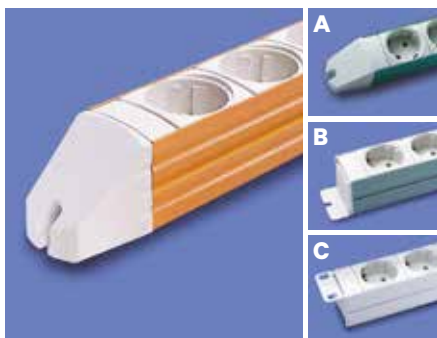
*Robust PDUs with useful equipment features*

The DI-STRIP product family meets a broad range of data center power distribution requirements for control centers, IT applications, computer networking, laboratories and office area.

Specially configured for the growing number of electronic components in control center consoles or 19" cabinets. Available with different accessories, such as circuit breakers, overvoltage protection, mains filter, master-slave function, emergency stop switch, fault-current circuit-breaker, local and remote power metering.



Reliable power distribution at full power delivered by full-length brass busbars



Can be fitted to a rack or workstation



Highly compact construction; minimizes space requirements in the rack

### Highest possible security and availability with:

- Closed sheet-steel extrusions that deliver high stability and torsional flexibility
- Extensive certification compliant with the international Standard
- Double spring contacts for reliable and low contact resistance
- Optimal load monitoring (only DI-STRIP versions D and I)

### Maximum flexibility attained due to:

- Internationally compatible configurations and options
- Power cable lengths of 2.5 m for more spatial flexibility
- Rotating current indicator in 90° steps (only D and I DI-STRIP versions).

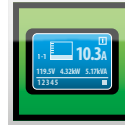
### INFO

Cable Management for professional applications can be found in our brochure "19"-Solutions"



#### INPUT POWER

- Single-phase (1ph) or three-phase (3ph)
- Up to 22 kVA
- Simple input supply



#### LOCAL MONITORING

- Fixed display



#### OUTPUT DISTRIBUTOR

- NEMA 5-20R single-phase, IEC C13 and C19, combination systems
- Schuko, France, Switzerland



#### REMOTE MONITORING

- Secure Web and SNMP interfaces with Liebert Nform



#### MODULARITY

- More connectivity with expansion unit for GST18



#### OVERLOAD PROTECTION

- Circuit breakers/fuses per branching cable/output as required

| DI-STRIP models                | Functions   | Input power                                      | Outputs                        |
|--------------------------------|---|--|--------------------------------|
| Classic                        | Basic power distribution/extra large distance between the sockets | 1 x 16 A<br>3.68 kVA                             | Schuko, France, Switzerland    |
| Compact                        | Basic power distribution  | 16 A - 32 A / 1 ph<br>3.68 kVA - 7 kVA           | Schuko, France, Switzerland    |
| Protector FI                   | Fault-current circuit-breaker<br>FI                               | 1 x 16 A<br>3.68 kVA                             | Schuko, France, Switzerland    |
| Protector LS                   | Circuit breaker (LS)<br>FI  | 1 x 16 A<br>3.68 kVA                             | Schuko, France, Switzerland    |
| Protector FI/LS                | Combination FI + LS   | 1 x 16 A<br>3.68 kVA                             | Schuko, France, Switzerland    |
| Protector Emergency Stop       | Emergency stop switch   | 1 x 16 A<br>3.68 kVA                             | Schuko, France, Switzerland    |
| Protector Emergency Stop FI/LS | Combination emergency stop + FI + LS                              | 1 x 16 A<br>3.68 kVA                             | Schuko, France, Switzerland    |
| Power Cleaner                  | Mains filter  | 1 x 16 A<br>3.68 kVA                             | Schuko, France                 |
| Safety Basic                   | Overvoltage protection  | 1 x 16 A<br>3.68 kVA                             | Schuko, France, Switzerland    |
| Safety Standard                | Mains filter + overvoltage protection                             | 1 x 16 A<br>3.68 kVA                             | Schuko, France, Switzerland    |
| Master Slave                   | Master Slave  | 1 x 16 A<br>3.68 kVA                             | Schuko, France                 |
| Combi                          | Combination Master Slave + overvoltage protection + mains filter  | 1 x 16 A<br>3.68 kVA                             | Schuko, France                 |
| D                              | Input measurement, local  | 16 A - 32 A / 1 ph and 3 ph<br>3.68 kVA - 22 kVA | IEC60320<br>C13 & C19 & Schuko |
| I                              | Input measurement, local + remote                                 | 16 A - 32 A / 1 ph and 3 ph<br>3.68 kVA - 22 kVA | IEC60320<br>C13 & C19 & Schuko |
| Euro socket system IEC 320     | Basic power distribution  | 16 A - 32 A / 1 ph<br>3.68 kVA - 7 kVA           | IEC60320<br>C13 & C19          |



DOS00403

## Knürr DI-STRIP® Classic

- Optionally with illuminated switch; 2-pole switching
- Socket rotation: 45°
- Feed cable: H05VV-F 3G 1.5 mm<sup>2</sup>
- Optionally with Euro plug, IEC320 for UPS application

### Material / Finish

- Housing: closed sheet steel extrusion, zinc-passivated, powder-coated texture
- Plastic parts: Vampamid 6 0024 VO (UL94)
- Internal conductor: full-length busbars, brass

### Dimensions

- Distance between sockets: 100 mm
- Height: 45.5 mm
- Width of housing: 44.4 mm (= 1 U)
- Feed cable: 2.5 m

### Approvals/certificates

- CE label in accordance with:
  - Low Voltage Directive 2014/35/EU
  - EMC Directive 2014/30/EU
  - RoHS Directive 2011/65/EG
- Bureau-Veritas BG – Certificate (Factory Inspection)
- Bureau-Veritas CB – Certificate
- VDE-GS – Certificate

### Color

- Final digit of order number .1: RAL 7035, light-grey
- Final digit of order number .6: housing RAL 2003 pastel orange
- Plastic parts: RAL 7035, light-grey

### Load rating

- 100-240 V AC/16 A (output Schuko and UTE)
- 100-240 V AC/10A (outputs Switzerland)

### Scope of delivery

- 1 x socket strip
- 2 x mounting brackets

| DI-STRIP Model | Input Values |         | Input Connector | Outputs  |          |          |       |            |            | L    | S | F1 | F2 | 19* | Safe | Order No.    |
|----------------|--------------|---------|-----------------|----------|----------|----------|-------|------------|------------|------|---|----|----|-----|------|--------------|
|                | Voltage      | Current |                 | INT. C13 | INT. C19 | D Schuko | F UTE | CH Type 13 | CH Type 23 |      |   |    |    |     |      |              |
|                | 230V         | 16 A    | Schuko CEE7/7   |          |          | 17       |       |            |            | 1783 | ■ |    |    |     |      | 03.300.067.X |
|                | 230V         | 16 A    | Schuko CEE7/7   |          |          | 13       |       |            |            | 1383 | ■ |    |    |     |      | 03.300.063.X |
|                | 230V         | 16 A    | Schuko CEE7/7   |          |          | 9        |       |            |            | 983  | ■ |    |    |     |      | 03.300.059.X |
|                | 230V         | 16 A    | Schuko CEE7/7   |          |          | 5        |       |            |            | 583  | ■ |    |    |     |      | 03.300.055.X |
|                | 230V         | 16 A    | Schuko CEE7/7   |          |          | 16       |       |            |            | 1733 | ■ | ■  |    |     |      | 03.302.066.X |
|                | 230V         | 16 A    | Schuko CEE7/7   |          |          | 12       |       |            |            | 1333 | ■ | ■  |    |     |      | 03.302.062.X |
|                | 230V         | 16 A    | Schuko CEE7/7   |          |          | 8        |       |            |            | 933  | ■ | ■  |    |     |      | 03.302.058.X |
|                | 230V         | 16 A    | Schuko CEE7/7   |          |          | 4        |       |            |            | 533  | ■ | ■  |    |     |      | 03.302.054.X |
|                | 230V         | 16 A    | Schuko CEE7/7   |          |          |          | 13    |            |            | 1383 |   | ■  |    |     | ■    | 03.400.063.X |
|                | 230V         | 16 A    | Schuko CEE7/7   |          |          |          | 9     |            |            | 983  |   | ■  |    |     | ■    | 03.400.059.X |
|                | 230V         | 16 A    | Schuko CEE7/7   |          |          |          | 5     |            |            | 583  |   | ■  |    |     | ■    | 03.400.055.X |
|                | 230V         | 16 A    | Schuko CEE7/7   |          |          |          | 8     |            |            | 933  | ■ | ■  |    |     | ■    | 03.402.058.X |
|                | 230V         | 10 A    | SEV 1011 T12    |          |          |          |       | 13         |            | 1383 |   | ■  |    |     |      | 03.701.063.1 |
|                | 230V         | 10 A    | SEV 1011 T12    |          |          |          |       | 9          |            | 983  |   | ■  |    |     |      | 03.701.059.1 |
|                | 230V         | 10 A    | SEV 1011 T12    |          |          |          |       | 5          |            | 583  |   | ■  |    |     |      | 03.701.055.1 |
|                | 230V         | 10 A    | SEV 1011 T12    |          |          |          |       | 16         |            | 1733 | ■ | ■  |    |     |      | 03.703.066.1 |
|                | 230V         | 10 A    | SEV 1011 T12    |          |          |          |       | 8          |            | 933  | ■ | ■  |    |     |      | 03.703.058.1 |

#### Outputs:

C13 = IEC60320 C13  
C19 = IEC60320 C19

Schuko = Protective contact plug DIN 49440

UTE = France Standard CEE 7-V

Type 13 = Switzerland, type 13

L = Length in mm

S = Switch

F1 = Standard side pane (for rack mounting)

F2 = Design side panel (for installing at workstation)

19\* = Suitable for 19\* installation

safe = Protected contacts



DOS00401

with switch.

## Knürr DI-STRIP® Compact

- Optionally with illuminated switch; 2-pole switching
- 19" installation option (for length 483 mm)
- 2 versions: standard side panel or design side panel
- Socket rotation: 45°
- Feed cable: H05VV-F 3G 1.5 mm<sup>2</sup>
- Molded right angle plug
- Optionally with Euro plug, IEC320 for UPS applications

### Material / Finish

- Housing: closed sheet steel extrusion, zinc-passivated, powder-coated texture
- Plastic parts: Vampamid 6 0024 VO (UL94), recyclable
- Internal conductor: full-length busbars, brass

### Dimensions

- Distance between sockets: 50 mm
- Height: 45.5 mm
- Width of housing: 44.4 mm (= 1 U)
- Feed cable: 2.5 m

### Approvals/certificates

- CE label in accordance with:
  - Low Voltage Directive 2014/35/EU
  - EMC Directive 2014/30/EU
  - RoHS Directive 2011/65/EG
- Bureau-Veritas BG – Certificate (Factory Inspection)
- Bureau-Veritas CB – Certificate
- VDE-GS – Certificate

### Color combination

- Final digit of order number 1: RAL 7035, light-grey
- Final digit of order number 6: housing RAL 2003 pastel orange
- Plastic parts: RAL 7035, light-grey

### Load rating

- 100-240 V AC/16 A (output Schuko and UTE)
- 100-240 V AC/10 A (outputs Switzerland)

### Scope of delivery

- 1 x socket strip
- 2 x mounting brackets

| DI-STRIP Model  | Input Values |         | Input Connector  | Outputs  |          |          |       | L   | S | F1 | F2 | 19" | Safe | Order No.    |
|-----------------|--------------|---------|------------------|----------|----------|----------|-------|-----|---|----|----|-----|------|--------------|
|                 | Voltage      | Current |                  | INT. C13 | INT. C19 | D Schuko | F UTE |     |   |    |    |     |      |              |
|                 | 230V         | 16 A    | Schuko CEE7/7    |          |          | 15       |       | 883 |   | ■  |    |     |      | 03.300.015.X |
|                 | 230V         | 16 A    | Schuko CEE7/7    |          |          | 11       |       | 732 |   |    | ■  |     |      | 03.300.111.X |
|                 | 230V         | 16 A    | Schuko CEE7/7    |          |          | 11       |       | 683 |   | ■  |    |     |      | 03.300.011.X |
|                 | 230V         | 16 A    | Schuko CEE7/7    |          |          | 7        |       | 532 |   |    | ■  |     |      | 03.300.107.X |
|                 | 230V         | 16 A    | Schuko CEE7/7    |          |          | 7        |       | 483 |   | ■  |    | ■   |      | 03.300.007.X |
|                 | 230V         | 16 A    | Schuko CEE7/7    |          |          | 8        |       | 483 |   | ■  |    | ■   |      | 03.300.008.1 |
|                 | 230V         | 16 A    | Schuko CEE7/7    |          |          | 4        |       | 382 |   |    | ■  |     |      | 03.300.104.X |
|                 | 230V         | 16 A    | Schuko CEE7/7    |          |          | 4        |       | 333 |   | ■  |    |     |      | 03.300.004.X |
|                 | 230V         | 16 A    | Schuko CEE7/7    |          |          | 14       |       | 883 | ■ | ■  |    |     |      | 03.302.014.X |
|                 | 230V         | 16 A    | Schuko CEE7/7    |          |          | 10       |       | 732 | ■ |    | ■  |     |      | 03.302.110.X |
|                 | 230V         | 16 A    | Schuko CEE7/7    |          |          | 10       |       | 683 | ■ | ■  |    |     |      | 03.302.010.X |
|                 | 230V         | 16 A    | Schuko CEE7/7    |          |          | 6        |       | 532 | ■ |    | ■  |     | ■    | 03.303.106.X |
|                 | 230V         | 16 A    | Schuko CEE7/7    |          |          | 6        |       | 532 | ■ |    | ■  |     |      | 03.302.106.X |
|                 | 230V         | 16 A    | Schuko CEE7/7    |          |          | 6        |       | 483 | ■ | ■  |    | ■   |      | 03.302.006.X |
|                 | 230V         | 16 A    | Schuko CEE7/7    |          |          | 7        |       | 483 | ■ | ■  |    | ■   |      | 03.302.007.1 |
|                 | 230V         | 16 A    | Schuko CEE7/7    |          |          | 3        |       | 382 | ■ |    | ■  |     |      | 03.302.103.X |
|                 | 230V         | 16 A    | Schuko CEE7/7    |          |          | 3        |       | 333 | ■ | ■  |    |     |      | 03.302.003.X |
| UPS application | 230V         | 10 A    | IEC60320 Sheet I |          |          | 8        |       | 483 |   | ■  |    | ■   |      | 03.300.308.1 |
|                 | 230V         | 16 A    | IEC60320 C20     |          |          | 8        |       | 483 |   | ■  |    | ■   |      | 03.300.408.1 |
|                 | 230V         | 16 A    | GST18            |          |          | 6        |       | 583 | ■ | ■  |    |     |      | 03.302.206.1 |
|                 | 230V         | 16 A    | GST18            |          |          | 3        |       | 433 | ■ | ■  |    |     |      | 03.302.203.1 |
|                 | 230V         | 16 A    | GST18            |          |          | 7        |       | 533 |   | ■  |    |     |      | 03.300.207.1 |
|                 | 230V         | 16 A    | GST18            |          |          | 4        |       | 383 |   | ■  |    |     |      | 03.300.204.1 |
|                 | 230V         | 16 A    | Schuko CEE7/7    |          |          |          | 11    | 683 |   | ■  |    |     | ■    | 03.400.011.X |
|                 | 230V         | 16 A    | Schuko CEE7/7    |          |          |          | 7     | 532 |   |    | ■  |     | ■    | 03.400.107.X |
|                 | 230V         | 16 A    | Schuko CEE7/7    |          |          |          | 7     | 483 |   | ■  |    | ■   | ■    | 03.400.007.X |
|                 | 230V         | 16 A    | Schuko CEE7/7    |          |          |          | 4     | 333 |   | ■  |    |     | ■    | 03.400.004.X |

| DI-STRIP Model | Input Values |         | Input Connector | Outputs  |          |          |       |            |            | L   | S | F1 | F2 | 19" | Safe | Order No.    |
|----------------|--------------|---------|-----------------|----------|----------|----------|-------|------------|------------|-----|---|----|----|-----|------|--------------|
|                | Voltage      | Current |                 | INT. C13 | INT. C19 | D Schuko | F UTE | CH Type 13 | CH Type 23 |     |   |    |    |     |      |              |
| <b>Compact</b> |              |         |                 |          |          |          |       |            |            |     |   |    |    |     |      |              |
|                | 230V         | 16 A    | Schuko CEE7/7   |          |          |          | 10    |            |            | 683 | ■ | ■  |    |     | ■    | 03.402.010.X |
|                | 230V         | 16 A    | Schuko CEE7/7   |          |          |          | 6     |            |            | 483 | ■ | ■  |    | ■   | ■    | 03.402.006.X |
|                | 230V         | 16 A    | Schuko CEE7/7   |          |          |          | 3     |            |            | 333 | ■ | ■  |    |     | ■    | 03.402.003.X |
|                | 230V         | 16 A    | GST18           |          |          |          | 7     |            |            | 533 |   | ■  |    |     | ■    | 03.400.207.1 |
|                | 230V         | 16 A    | GST18           |          |          |          | 4     |            |            | 383 |   | ■  |    |     | ■    | 03.701.011.1 |
|                | 230V         | 10 A    | SEV 1011 T12    |          |          |          |       | 11         |            | 683 |   | ■  |    |     |      | 03.701.007.1 |
|                | 230V         | 10 A    | SEV 1011 T12    |          |          |          |       | 7          |            | 483 |   | ■  |    | ■   |      | 03.701.004.1 |
|                | 230V         | 10 A    | SEV 1011 T12    |          |          |          |       | 4          |            | 333 |   | ■  |    |     |      | 03.703.110.1 |
|                | 230V         | 10 A    | SEV 1011 T12    |          |          |          |       | 10         |            | 732 | ■ |    |    | ■   |      | 03.703.110.1 |
|                | 230V         | 10 A    | SEV 1011 T12    |          |          |          |       | 6          |            | 483 | ■ | ■  |    | ■   |      | 03.703.006.1 |
|                | 230V         | 10 A    | SEV 1011 T12    |          |          |          |       | 3          |            | 382 | ■ |    |    | ■   |      | 03.703.103.1 |
|                | 230V         | 10 A    | SEV 1011 T12    |          |          |          |       | 3          |            | 333 | ■ | ■  |    |     |      | 03.703.003.1 |



DOS20065

with FI circuit breaker

## Knürr DI-STRIP® Protector FI

### ■ Protector FI

- Fault-current circuit breaker for user protection
- Protection against indirect contact by disconnection of the circuit when inadmissibly high contact voltage occurs through bodily contact with electrical equipment
- Additional protection against direct contact
- Residual operating current  $I_g = 10$  mA for alternating and pulsating direct fault currents
- 19" installation option (for length 483 mm).
- Socket rotation: 45°
- Feed cable: H05VV-F 3G 1.5 mm<sup>2</sup>
- Molded right angle plug

### ■ Material/ Finish

- Housing: closed sheet steel extrusion, zinc-passivated, powder-coated texture
- Plastic parts: Vampamid 6 0024 VO (UL94), recyclable
- Internal conductor: full-length busbars, brass

### ■ Dimensions

- Distance between sockets: 50 mm.
- Height: 78 mm
- Width of housing: 44.4 mm (= 1 U)
- Feed cable: 2.5 m

### ■ Approvals/certificates

- CE label in accordance with:
  - Low Voltage Directive 2014/35/EU
  - EMC Directive 2014/30/EU
  - RoHS Directive 2011/65/EG
- Bureau-Veritas BG – Certificate (Factory Inspection)
- Bureau-Veritas CB – Certificate

### ■ Color combination

- Final digit of order number .1: RAL 7035, light-grey
- Plastic parts: RAL 7035, light grey

### ■ Load rating

- 100–240 V AC/16 A

### ■ Scope of delivery

- 1 x socket strip
- 2 x mounting brackets

| DI-STRIP Model | Input Values |         | Input Connector | Outputs  |          |          |       |            |            | L   | S | F1 | F2 | 19" | Safe | Order No.    |
|----------------|--------------|---------|-----------------|----------|----------|----------|-------|------------|------------|-----|---|----|----|-----|------|--------------|
|                | Voltage      | Current |                 | INT. C13 | INT. C19 | D Schuko | F UTE | CH Type 13 | CH Type 23 |     |   |    |    |     |      |              |
|                | 230V         | 16 A    | Schuko CEE7/7   |          |          |          | 13    |            |            | 883 |   | ■  |    |     |      | 03.304.013.1 |
|                | 230V         | 16 A    | Schuko CEE7/7   |          |          |          | 9     |            |            | 683 |   | ■  |    |     |      | 03.304.009.1 |
|                | 230V         | 16 A    | Schuko CEE7/7   |          |          |          | 5     |            |            | 483 |   | ■  |    | ■   |      | 03.304.005.1 |
|                | 230V         | 16 A    | Schuko CEE7/7   |          |          |          | 5     |            |            | 483 |   | ■  |    | ■   | ■    | 03.404.005.1 |

#### Outputs:

C13 = IEC60320 C13

C19 = IEC60320 C19

Schuko = Protective contact plug DIN 49440

UTE = France Standard CEE 7-V

Type 13 = Switzerland, type 13

L = Length in mm

S = Switch

F1 = Standard side pane (for rack mounting)

F2 = Design side panel (for installing at workstation)

19" = Suitable for 19" installation

safe = Protected contacts





DOS00692

with circuit breaker

## Knürr DI-STRIP® Protector LS

### ■ Protector LS

- Circuit breaker for overload and short circuit
- Protects cables and lines by switching off rapidly in the event of a short circuit and defined delayed switch-off when overloads occur
- Circuit breaker: 16 A
- Trip characteristics: type B, 2-pole
- 19" installation option (for length 483 mm)
- Socket rotation: 45°
- Feed cable: H05VV-F 3G 1.5 mm<sup>2</sup>
- Molded right angle plug

### ■ Material/ Finish

- Housing: closed sheet steel extrusion, zinc-passivated, powder-coated texture
- Plastic parts: Vampamid 6 0024 VO (UL94), recyclable
- Internal conductor: full-length busbars, brass

### ■ Dimensions

- Distance between sockets: 50 mm
- Height: 78 mm
- Width of housing: 44.4 mm (= 1 U)
- Feed cable: 2.5 m

### ■ Approvals/certificates

- CE label in accordance with:
  - Low Voltage Directive 2014/35/EU
  - EMC Directive 2014/30/EU
  - RoHS Directive 2011/65/EG
- Bureau-Veritas BG – Certificate (Factory Inspection)
- Bureau-Veritas CB – Certificate
- VDE-GS – Certificate

### ■ Color combination

- Final digit of order number 1: RAL 7035, light-grey
- Plastic parts: RAL 7035, light grey

### ■ Load rating

- 100–240 V AC/16 A

### ■ Scope of delivery

- 1 x socket strip
- 2 x mounting brackets

| DI-STRIP Model | Input Values |         | Input Connector | Outputs  |          |          |       |            |            | L   | S | F1 | F2 | 19" | Safe | Order No.           |
|----------------|--------------|---------|-----------------|----------|----------|----------|-------|------------|------------|-----|---|----|----|-----|------|---------------------|
|                | Voltage      | Current |                 | INT. C13 | INT. C19 | D Schuko | F UTE | CH Type 13 | CH Type 23 |     |   |    |    |     |      |                     |
|                | 230V         | 16 A    | Schuko CEE7/7   |          |          | 13       |       |            |            | 883 |   | ■  |    |     |      | <b>03.308.013.1</b> |
|                | 230V         | 16 A    | Schuko CEE7/7   |          |          | 9        |       |            |            | 683 |   | ■  |    |     |      | <b>03.308.009.1</b> |
|                | 230V         | 16 A    | Schuko CEE7/7   |          |          | 5        |       |            |            | 483 |   | ■  |    | ■   |      | <b>03.308.005.1</b> |
|                | 230V         | 16 A    | Schuko CEE7/7   |          |          |          | 5     |            |            | 483 |   | ■  |    | ■   | ■    | <b>03.408.005.1</b> |

#### Outputs:

C13 = IEC60320 C13

C19 = IEC60320 C19

Schuko = Protective contact plug DIN 49440

UTE = France Standard CEE 7-V

Type 13 = Switzerland, type 13

L = Length in mm

S = Switch

F1 = Standard side pane (for rack mounting)

F2 = Design side panel (for installing at workstation)

19" = Suitable for 19" installation

safe = Protected contacts



DOS00693

## Knürr DI-STRIP® Protector FI / LS

### ■ Protector FI / LS

- Fault current switch and circuit breaker.
- Provides a combination of user, overload and short circuit protection
- Residual operating current  $I_g = 30 \text{ mA}$  for alternating and pulsating direct fault currents
- Circuit breaker 16 A (Schuko and France) / 10A (Switzerland)
- Trip characteristics, type B, 2-pole
- 19" installation option (for length 483 mm)
- Socket rotation: 45°
- Feed cable: H05VV-F 3G 1.5 mm<sup>2</sup>
- Molded right angle plug

### ■ Material / Finish

- Housing: closed sheet steel extrusion, zinc-passivated, powder-coated texture
- Plastic parts: Vampamid 6 0024 VO (UL94), recyclable
- Internal conductor: full-length busbars, brass

### ■ Dimensions

- Distance between sockets: 50 mm
- Height: 78 mm

- Width of housing: 44.4 mm (= 1 U)
- Feed cable: 2.5 m

### ■ Approvals/certificates

- CE label in accordance with:
  - Low Voltage Directive 2014/35/EU
  - EMC Directive 2014/30/EU
  - RoHS Directive 2011/65/EG
- Bureau-Veritas BG – Certificate (Factory Inspection)
- Bureau-Veritas CB – Certificate

### ■ Color combination

- Final digit of order number .1: RAL 7035, light-grey
- Plastic parts: RAL 7035, light-grey

### ■ Load rating

- 100–240 V AC/16 A (Schuko and France)
- 100–240 V AC/10 A (Switzerland)

### ■ Scope of delivery

- 1 x socket strip
- 2 x mounting brackets

| DI-STRIP Model | Input Values |         | Input Connector | Outputs  |          |          |       |            |            | L   | S | F1 | F2 | 19" | Safe | Order No.           |
|----------------|--------------|---------|-----------------|----------|----------|----------|-------|------------|------------|-----|---|----|----|-----|------|---------------------|
|                | Voltage      | Current |                 | INT. C13 | INT. C19 | D Schuko | F UTE | CH Type 13 | CH Type 23 |     |   |    |    |     |      |                     |
|                | 230V         | 16 A    | Schuko CEE7/7   |          |          | 13       |       |            |            | 883 |   | ■  |    |     |      | <b>03.310.013.1</b> |
|                | 230V         | 16 A    | Schuko CEE7/7   |          |          | 9        |       |            |            | 683 |   | ■  |    |     |      | <b>03.310.009.1</b> |
|                | 230V         | 16 A    | Schuko CEE7/7   |          |          | 5        |       |            |            | 483 |   | ■  |    | ■   |      | <b>03.310.005.1</b> |
|                | 230V         | 16 A    | Schuko CEE7/7   |          |          |          | 9     |            |            | 683 |   | ■  |    |     | ■    | <b>03.410.009.1</b> |
|                | 230V         | 16 A    | Schuko CEE7/7   |          |          |          | 5     |            |            | 483 |   | ■  |    | ■   | ■    | <b>03.410.005.1</b> |
|                | 230V         | 10 A    | SEV 1011 T12    |          |          |          |       |            | 5          | 483 |   | ■  |    | ■   |      | <b>03.711.005.1</b> |



DOS20059

## Knürr DI-STRIP® Protector Emergency Stop

- With 2-pole emergency stop switch for user protection
  - For manually disconnecting consumers in an emergency
  - Phase and neutral conductors are separated safely
  - Switch must be intentionally unlocked to restart
  - 19" installation option (for length 483 mm).
  - Socket rotation: 45°
  - Feed cable: H05VV-F 3G 1.5 mm<sup>2</sup>
  - Molded right angle plug
- Height: 101 mm
  - Width of housing: 44.4 mm (= 1 U)
  - Feed cable: 2.5 m
- **Approvals/certificates**
    - CE label in accordance with:
      - Low Voltage Directive 2014/35/EU
      - EMC Directive 2014/30/EU
      - RoHS Directive 2011/65/EG
    - Bureau-Veritas BG – Certificate (Factory Inspection)
    - Bureau-Veritas CB – Certificate
- **Material / Finish**
    - Housing: closed sheet steel extrusion, zinc-passivated, powder-coated texture
    - Plastic parts: Vampamid 6 0024 VO (UL94), recyclable
    - Internal conductor: full-length busbars, brass
- **Dimensions**
    - Distance between sockets: Classic: 100 mm, Compact: 50 mm
- **Color combinations**
    - Final digit of order number .1: RAL 7035, light grey
    - Plastic parts: RAL 7035, light grey
- **Load rating**
    - 100–240 V AC/16 A
- **Scope of delivery**
    - 1 x socket strip
    - 2 x mounting brackets

| DI-STRIP Model | Input Values |         | Input Connector | Outputs  |          |          |       |            |            | L   | S | F1 | F2 | 19" | Safe | Order No.           |
|----------------|--------------|---------|-----------------|----------|----------|----------|-------|------------|------------|-----|---|----|----|-----|------|---------------------|
|                | Voltage      | Current |                 | INT. C13 | INT. C19 | D Schuko | F UTE | CH Type 13 | CH Type 23 |     |   |    |    |     |      |                     |
| Compact        | 230V         | 16 A    | Schuko CEE7/7   |          |          | 6        |       |            |            | 483 |   | ■  |    | ■   |      | <b>03.326.006.1</b> |
|                | 230V         | 16 A    | Schuko CEE7/7   |          |          |          | 10    |            |            | 683 |   | ■  |    |     | ■    | <b>03.426.010.1</b> |

### Outputs:

|  |   |  |
|--|---|--|
| C13 = IEC60320 C13                         | Type 13 = Switzerland, type 13              | F2 = Design side panel (for installing at workstation) |
| C19 = IEC60320 C19                         | L = Length in mm                            | 19" = Suitable for 19" installation                    |
| Schuko = Protective contact plug DIN 49440 | S = Switch                                  | safe = Protected contacts                              |
| UTE = France Standard CEE 7-V              | F1 = Standard side pane (for rack mounting) |  |



DOS00456

## Knürr DI-STRIP® Protector Emergency Stop FI /LS

- With 2-pole emergency stop switch for user protection
- For protecting operating personnel
- For manually disconnecting consumers in an emergency
- Phase and neutral conductors are separated safely
- Switch must be intentionally unlocked to restart
- Socket rotation: 45°
- Feed cable: H05VV-F 3G 1.5 mm<sup>2</sup>
- Molded right angle plug

### Material/ Finish

- Housing: closed sheet steel extrusion, zinc-passivated, powder-coated texture
- plastic parts: Vampamid 6 0024 VO (UL94), recyclable
- Internal conductor: full-length busbars, brass

### Dimensions

- Distance between sockets: Compact: 50 mm
- Height: 101 mm
- Width of housing: 44.4 mm (= 1 U)
- Feed cable: 2.5 m

### Approvals/certificates

- CE label in accordance with:
  - Low Voltage Directive 2014/35/EU
  - EMC Directive 2014/30/EU
  - RoHS Directive 2011/65/EG
- Bureau-Veritas BG – Certificate (Factory Inspection)
- Bureau-Veritas CB – Certificate

### Color combinations

- Final digit of order number .1: RAL 7035, light-grey
- Plastic parts: RAL 7035, light-grey

### Additionally:

- With 2-pole fault-current switch and circuit breaker
- Provides a combination of user, overload and short circuit protection

### Load rating

100–240 V AC/16 A

### Scope of delivery

- 1 x socket strip
- 2 x mounting brackets

| DI-STRIP Model | Input Values |         | Input Connector | Outputs  |          |          |       |            |            | L   | S | F1 | F2 | 19" | Safe | Order No.           |
|----------------|--------------|---------|-----------------|----------|----------|----------|-------|------------|------------|-----|---|----|----|-----|------|---------------------|
|                | Voltage      | Current |                 | INT. C13 | INT. C19 | D Schuko | F UTE | CH Type 13 | CH Type 23 |     |   |    |    |     |      |                     |
|                | 230V         | 16 A    | Schuko CEE7/7   |          |          | 8        |       |            |            | 683 |   | ■  |    |     |      | <b>03.328.008.1</b> |



DOS20061

## Knürr DI-STRIP® Power Cleaner

- High-frequency glitches generally occur in switching processes ranging from 100 kHz to 5 MHz. This high-frequency rate overloads the mains frequency and affects adjacent electronic equipment. The mains filter attenuates this high-frequency rate
- The attenuation behavior is harmonized with the typical interference spectrum
- The mains filter works in both directions: where glitches from the equipment to the socket strip are also filtered from the mains
- 19" installation option (for length 483 mm)
- Socket rotation: 45°
- Feed cable: H05VV-F 3G 1.5 mm<sup>2</sup>
- Molded right angle plug

### Material / Finish

- Housing: closed sheet steel extrusion, zinc-passivated, powder-coated texture
- Plastic parts: Vampamid 6 0024 VO (UL94), recyclable
- Internal conductor: full-length busbars, brass

### Dimensions

- Distance between sockets: 50 mm
- Height: 45.5 mm
- Width of housing: 44.4 mm (= 1 U)
- Feed cable: 2.5 m

### Approvals/certificates

- CE label in accordance with:
  - Low Voltage Directive 2014/35/EU
  - EMC Directive 2014/30/EU
  - RoHS Directive 2011/65/EG
- Bureau-Veritas BG – Certificate (Factory Inspection)
- Bureau-Veritas CB – Certificate

### Color combination

- Final digit of order number 1: RAL 7035, light-grey
- Final digit of order number 6: housing RAL 2003 pastel orange
- Plastic parts: RAL 7035, light-grey

### Technical data

- Nominal voltage: max. 250 V AC, 50 Hz
- Nominal current, max. 16 A
- Filter compliant with VDE 0565-3 (EN 60939-1)

### Scope of delivery

- 1 x socket strip
- 2 x mounting brackets
- 2 x 19" mounting brackets (additionally with 19" installation option)

### Note

Use only at mains frequency 50Hz!

| DI-STRIP Model | Input Values |         | Input Connector | Outputs  |          |          |       |            |            | L   | S | F1 | F2 | 19" | Safe | Order No.           |
|----------------|--------------|---------|-----------------|----------|----------|----------|-------|------------|------------|-----|---|----|----|-----|------|---------------------|
|                | Voltage      | Current |                 | INT. C13 | INT. C19 | D Schuko | F UTE | CH Type 13 | CH Type 23 |     |   |    |    |     |      |                     |
|                | 230V         | 16 A    | Schuko CEE7/7   |          |          | 13       |       |            |            | 883 |   | ■  |    |     |      | <b>03.312.013.X</b> |
|                | 230V         | 16 A    | Schuko CEE7/7   |          |          | 9        |       |            |            | 683 |   | ■  |    |     |      | <b>03.312.009.X</b> |
|                | 230V         | 16 A    | Schuko CEE7/7   |          |          | 5        |       |            |            | 483 |   | ■  |    | ■   |      | <b>03.312.005.X</b> |
|                | 230V         | 16 A    | GST18           | 6        |          |          |       |            |            | 483 |   | ■  |    | ■   |      | <b>03.612.206.1</b> |

#### Outputs:

|  |   |  |
|--|---|--|
| C13 = IEC60320 C13                         | Type 13 = Switzerland, type 13              | F2 = Design side panel (for installing at workstation) |
| C19 = IEC60320 C19                         | L = Length in mm                            | 19" = Suitable for 19" installation                    |
| Schuko = Protective contact plug DIN 49440 | S = Switch                                  | safe = Protected contacts                              |
| UTE = France Standard CEE 7-V              | F1 = Standard side pane (for rack mounting) |  |





DOS20068

with overvoltage protection

## Knürr DI-STRIP® Safety Basic

- For protection against transient overvoltage from the mains, which, for example, are caused by switching machines on and off
- When critical overvoltages occur, the connection to the mains is cut off
- Once the protective conductor has been triggered, the green function display light is not illuminated. Thus, the socket strip can no longer be used.\*
- Basic equipment protection is classified as class 3 (category D)
- For optimal protection, class 1 and 2 (categories B and C) protective equipment must be installed in the building
- 19" installation option (for length 483 mm)
- Socket rotation: 45°
- Feed cable: H05VV-F 3G 1.5 mm<sup>2</sup>
- Molded right angle plug

### Material / Finish

- Housing: closed sheet steel extrusion, zinc-passivated, powder-coated texture
- plastic parts: Vampamid 6 0024 VO (UL94), recyclable
- Internal conductor: full-length busbars, brass

### Dimensions

- Distance between sockets: 50 mm
- Height: 45.5 mm
- Width of housing: 44.4 mm (= 1 U)
- Power cable 2.5m

### Approvals/certificates

- CE label in accordance with:
  - Low Voltage Directive 2014/35/EU
  - EMC Directive 2014/30/EU
  - RoHS Directive 2011/65/EG
- Bureau-Veritas BG – Certificate (Factory Inspection)
- Bureau-Veritas CB – Certificate

### Color combination

- Final digit of order number .1: RAL 7035, light-grey
- Final digit of order number .6: housing RAL 2003 pastel orange
- Plastic parts: RAL 7035, light-grey

### Technical data

- Appliance class: Type 3 as per DIN EN 61643-11
- Requirement class: category D as per VDE 0675-6
- Mains voltage: 230 VAC
- Nominal current, max. 16 A
- Discharge surge current (8/20 s): 10 kA
- Reaction time: < 25 ns
- Safety level (at 100 A varistor peak current): L with respect to N: < 800 V, L / N with respect to PE: < 1500 V

### Scope of delivery

- 1 x socket strip
- 2 x mounting brackets

\* Send the socket strip to the manufacturer for the protective conductor to be replaced!

| DI-STRIP Model | Input Values |         | Input Connector | Outputs  |          |          |       |            |            | L   | S | F1 | F2 | 19" | Safe | Order No.    |
|----------------|--------------|---------|-----------------|----------|----------|----------|-------|------------|------------|-----|---|----|----|-----|------|--------------|
|                | Voltage      | Current |                 | INT. C13 | INT. C19 | D Schuko | F UTE | CH Type 13 | CH Type 23 |     |   |    |    |     |      |              |
|                | 230V         | 16 A    | Schuko CEE7/7   |          |          | 10       |       |            |            | 732 |   |    | ■  |     |      | 03.316.110.1 |
|                | 230V         | 16 A    | Schuko CEE7/7   |          |          | 10       |       |            |            | 683 |   | ■  |    |     |      | 03.316.010.X |
|                | 230V         | 16 A    | Schuko CEE7/7   |          |          | 6        |       |            |            | 483 |   | ■  |    | ■   |      | 03.316.006.X |
|                | 230V         | 16 A    | Schuko CEE7/7   |          |          | 4        |       |            |            | 383 |   | ■  |    |     |      | 03.316.004.1 |
|                | 230V         | 16 A    | GST18           |          |          | 4        |       |            |            | 433 |   | ■  |    |     |      | 03.316.204.1 |
|                | 230V         | 16 A    | GST18           | 6        |          |          |       |            |            | 483 |   | ■  |    | ■   |      | 03.616.206.1 |
|                | 230V         | 16 A    | Schuko CEE7/7   |          |          |          | 6     |            |            | 483 |   | ■  |    | ■   | ■    | 03.416.006.1 |



DOS20069

## Knürr DI-STRIP® Safety Standard

- Standard safety models consist of a combined overvoltage protection/mains filter element
- Protects against transient overvoltages from the mains, which, for example, are caused by switching machines on and off
- When critical overvoltages occur, connection to the mains is cut off
- Once the protective conductor has been triggered, the green function display light is not illuminated. The socket strip can thus no longer be used.\*
- Basic equipment protection is classified as class 3 (category D)
- For optimal protection, class 1 and 2 (categories B and C) protective equipment must be installed in the building
- High-frequency glitches are generally caused by switching processes in an operation from 100 kHz to 5MHz
- This high-frequency rate overloads the mains frequency and affects adjacent electronic equipment. The mains filter attenuates this high-frequency rate
- The attenuation behavior is harmonized with the typical interference spectrum
- 19" installation option (for length 483 mm)
- Socket rotation: 45°
- Feed cable: HO5VV-F 3G 1.5 mm<sup>2</sup>
- Molded right angle plug

### Material/ Finish

- Housing: closed sheet steel extrusion, zinc-passivated, powder-coated texture
- Plastic parts: Vampamid 6 0024 VO (UL94), recyclable
- Internal conductor: full-length busbars, brass

### Dimensions

- Distance between sockets: 50 mm
- Height: 45.5 mm
- Width of housing: 44.4 mm (= 1 U)
- Feed cable: 2.5 m

### Approvals/certificates

- CE label in accordance with:
  - Low Voltage Directive 2014/35/EU
  - EMC Directive 2014/30/EU
  - RoHS Directive 2011/65/EG
- Bureau-Veritas BG – Certificate (Factory Inspection)
- Bureau-Veritas CB – Certificate

### Color combination

- Final digit of order number .1: RAL 7035, light-grey
- Final digit of order number .6: housing RAL 2003 pastel orange
- Plastic parts: RAL 7035, light-grey

### Technical data

- Mains voltage: 230 VAC
- Nominal current: max. 16 A / 10 A
- Discharge surge current (8/20 s): 10 kA
- Reaction time: < 25 ns
- Safety level (at 100 A varistor peak current):
  - L with respect to N: < 800 V, L / N with respect to PE: < 1500 V
- Overvoltage protection
- Appliance class: Class 3 – as per DIN EN 61643-11
- Requirement class: Category D as per VDE 0675-6
- Mains filter: as per VDE 0565 (EN 60939)

### Scope of delivery

- 1 x socket strip
- 2 x mounting brackets

\* Send the socket strip to the manufacturer for the safety arrester to be replaced!

| DI-STRIP Model | Input Values |         | Input Connector | Outputs  |          |          |       |            |            | L   | S | F1 | F2 | 19" | Safe | Order No.    |
|----------------|--------------|---------|-----------------|----------|----------|----------|-------|------------|------------|-----|---|----|----|-----|------|--------------|
|                | Voltage      | Current |                 | INT. C13 | INT. C19 | D Schuko | F UTE | CH Type 13 | CH Type 23 |     |   |    |    |     |      |              |
|                | 230V         | 16 A    | Schuko CEE7/7   |          |          | 13       |       |            |            | 883 | ■ | ■  |    |     |      | 03.318.013.X |
|                | 230V         | 16 A    | Schuko CEE7/7   |          |          | 9        |       |            |            | 732 | ■ |    | ■  |     |      | 03.318.109.X |
|                | 230V         | 16 A    | Schuko CEE7/7   |          |          | 9        |       |            |            | 683 | ■ | ■  |    |     |      | 03.318.009.X |
|                | 230V         | 16 A    | Schuko CEE7/7   |          |          | 5        |       |            |            | 532 | ■ |    | ■  |     |      | 03.318.105.X |
|                | 230V         | 16 A    | Schuko CEE7/7   |          |          | 5        |       |            |            | 483 | ■ | ■  |    | ■   |      | 03.318.005.X |
|                | 230V         | 16 A    | GST18           | 6        |          |          |       |            |            | 483 |   | ■  |    | ■   |      | 03.618.206.1 |
|                | 230V         | 16 A    | Schuko CEE7/7   |          |          |          | 5     |            |            | 483 | ■ | ■  |    | ■   | ■    | 03.418.005.X |
|                | 230V         | 10 A    | SEV 1011 T12    |          |          |          |       | 5          |            | 483 | ■ | ■  |    | ■   |      | 03.719.005.1 |

#### Outputs:

|  |   |  |
|--|---|--|
| C13 = IEC60320 C13                         | Type 13 = Switzerland, type 13              | F2 = Design side panel (for installing at workstation) |
| C19 = IEC60320 C19                         | L = Length in mm                            | 19" = Suitable for 19" installation                    |
| Schuko = Protective contact plug DIN 49440 | S = Switch                                  | safe = Protected contacts                              |
| UTE = France Standard CEE 7-V              | F1 = Standard side pane (for rack mounting) |  |



DOS20070

## Knürr DI-STRIP® Master-Slave

- Slave plugs will switch on if master switches on
- Note:
  - The master consumer's power intake must always exceed the switch-on threshold. When switching off the master consumer, the power intake must fall below the switch-off threshold.
  - 19" installation option (for length 483 mm)
  - Socket rotation: 45°
  - Feed cable: H05VV-F 3G 1.5 mm<sup>2</sup>
  - Molded right angle plug

### Material / Finish

- Housing: closed sheet steel extrusion, zinc-passivated, powder-coated texture
- Plastic parts: Vampamid 6 0024 VO (UL94), recyclable
- Internal conductor: full-length busbars, brass

### Dimensions

- Distance between sockets: 50 mm
- Height: 45.5 mm
- Width of housing: 44.4 mm (= 1 U)
- Feed cable: 2.5 m

### Approvals/certificates

- CE label in accordance with:
  - Low Voltage Directive 2014/35/EU
  - EMC Directive 2014/30/EU
  - RoHS Directive 2011/65/EG
- Bureau-Veritas BG – Certificate (Factory Inspection)
- Bureau-Veritas CB – Certificate
- VDE GS - Certificate

### Color combination

- Final digit of order number .1: RAL 7035, light-grey
- Plastic parts: RAL 7035, light-grey

### Load rating

Max. 250 V AC/16 A

### Technical data

- Switching-threshold setting range
- On: 20 - 200 mA (approx. 55 mA on delivery)
- Off: 16 - 160 mA (approx. 44 mA on delivery)
- Switching delay: 550 ms, ± 20 %
- Electronic module: 2-pole switching

### Scope of delivery

- 1 x socket strip
- 2 x mounting brackets

| DI-STRIP Model | Input Values |         | Input Connector | Outputs  |          |          |       |            |            | L   | S | F1 | F2 | 19" | Safe | Order No.           |
|----------------|--------------|---------|-----------------|----------|----------|----------|-------|------------|------------|-----|---|----|----|-----|------|---------------------|
|                | Voltage      | Current |                 | INT. C13 | INT. C19 | D Schuko | F UTE | CH Type 13 | CH Type 23 |     |   |    |    |     |      |                     |
|                | 230V         | 16 A    | Schuko CEE7/7   |          |          | 9        |       |            |            | 683 |   | ■  |    |     |      | <b>03.314.009.1</b> |
|                | 230V         | 16 A    | Schuko CEE7/7   |          |          | 5        |       |            |            | 483 |   | ■  |    | ■   |      | <b>03.314.005.1</b> |
|                | 230V         | 16 A    | Schuko CEE7/7   |          |          |          | 5     |            |            | 483 |   | ■  |    | ■   | ■    | <b>03.414.005.1</b> |



DOS00325 with master-slave overvoltage protection and mains filter

## Knürr DI-STRIP® Combi

- Master-slave with overvoltage protection and mains filter
- Automatic consumer switching
- Combines Master-Slave and Safety Standard functions
- Socket rotation: 45°
- Feed cable: H05VV-F 3G 1.5 mm<sup>2</sup>
- Molded right angle plug

### Material / Finish

- Housing: closed sheet steel extrusion, zinc-passivated, powder-coated texture
- Plastic parts: Vampamid 6 0024 VO (UL94), recyclable
- Internal conductor: full-length busbars, brass

### Dimensions

- Distance between sockets: 50 mm
- Height: 45.5 mm
- Width of housing: 44.4 mm (= 1 U)
- Feed cable: 2.5 m

### Approvals/certificates

- CE label in accordance with:
  - Low Voltage Directive 2014/35/EU
  - EMC Directive 2014/30/EU
  - RoHS Directive 2011/65/EG
- Bureau-Veritas BG – Certificate (Factory Inspection)
- Bureau-Veritas CB – Certificate

### Color combination

- Final digit of order number 1: RAL 7035, light-grey
- Plastic parts: RAL 7035, light-grey

### Technical data

- With overvoltage protection and mains filter
- Mains voltage: max. 250 VAC
- Nominal current: 16 A
- Requirement class: D (protection as per VDE 0675)
- Surge current resistance (8/20 s wave): Max. 10 kA
- Protection level (1.5/50 µs wave): < 1500 V (L + N against PE)
- Master-slave function:
  - Switching-threshold setting range
    - On: 20 - 200 mA (approx. 55 mA on delivery)
    - Off: 16 - 160 mA (approx. 44 mA on delivery)
  - Switching delay: 550 ms ± 20 %
  - Electronic module: 2-pole switching

### Scope of delivery

- 1 x socket strip
- 2 x mounting brackets

| DI-STRIP Model | Input Values |         | Input Connector | Outputs  |          |          |       |            |            | L   | S | F1 | F2 | 19" | Safe | Order No.    |
|----------------|--------------|---------|-----------------|----------|----------|----------|-------|------------|------------|-----|---|----|----|-----|------|--------------|
|                | Voltage      | Current |                 | INT. C13 | INT. C19 | D Schuko | F UTE | CH Type 13 | CH Type 23 |     |   |    |    |     |      |              |
|                | 230V         | 16 A    | Schuko CEE7/7   |          |          | 9        |       |            |            | 733 |   | ■  |    |     |      | 03.320.009.1 |
|                | 230V         | 16 A    | Schuko CEE7/7   |          |          | 5        |       |            |            | 533 |   | ■  |    |     |      | 03.320.005.1 |

#### Outputs:

|  |   |  |
|--|---|--|
| C13 = IEC60320 C13                         | Type 13 = Switzerland, type 13              | F2 = Design side panel (for installing at workstation) |
| C19 = IEC60320 C19                         | L = Length in mm                            | 19" = Suitable for 19" installation                    |
| Schuko = Protective contact plug DIN 49440 | S = Switch                                  | safe = Protected contacts                              |
| UTE = France Standard CEE 7-V              | F1 = Standard side pane (for rack mounting) |  |



DOS80002b

## Knürr DI-STRIP® D

- Metering electrical values per phase
- Metering values are clearly displayed on a LCD display
- LCD display rotation in 90° steps
- Display contrast can be adjusted
- Unbalanced-load warning display with 3-phase model
- Three color LED shows status of PDU
- Automatic reduction of background light
- Metering values: Voltage, phase and neutral current, frequency, real power apparent power, energy, power factor
- Input cable:
  - H05VV -F 5 G 4 mm<sup>2</sup> (3 x 32 A types)
  - H05VV -F 3 G 4 mm<sup>2</sup> (1 x 32 A types)
  - H05VV -F 5G 2,5 mm<sup>2</sup> (3 x 16 A types)
  - H05VV -F 3G 1,5 mm<sup>2</sup> (1 x 16 A types)
  - Length: 2,5 m (16 A types); 3 m (32 A types)

### Material/ Finish

- Housing: closed sheet steel extrusion, zinc-passivated, powder-coated texture
- Plastic parts: Vampamid 6 0024 VO (UL94), recyclable

### Approvals/certificates

- CE label in accordance with:
  - Low voltage directive 2014/35/EU
  - EMC-directive 2014/30/EU
  - RoHS-directive 2011/65/EG
- Bureau-Veritas BG – Certificate (Factory Inspection)
- Bureau-Veritas CB – Certificate

### Color

- Housing: RAL 7035 light grey
- lastic parts: RAL 7021 dark-grey

### Scope of delivery

- 1 socket strip with LC-Display
- 2 mounting brackets

| DI-STRIP Model | Input Values |          | Input Connector      | Outputs  |          |          |       |            |            | L    | S | F1 | F2 | 19" | Safe | Order No.    |
|----------------|--------------|----------|----------------------|----------|----------|----------|-------|------------|------------|------|---|----|----|-----|------|--------------|
|                | Voltage      | Current  |                      | INT. C13 | INT. C19 | D Schuko | F UTE | CH Type 13 | CH Type 23 |      |   |    |    |     |      |              |
|                | 230V         | 16 A     | Schuko CEE7/7        |          |          | 6        |       |            |            | 483  |   |    |    |     |      | 03.306.005.1 |
|                | 230V         | 16 A     | IEC60309 1ph/N/PE 6h |          |          | 6        |       |            |            | 483  |   |    |    |     |      | 03.306.806.1 |
|                | 230V         | 16 A     | Schuko CEE7/7        |          |          | 14       |       |            |            | 933  |   |    |    |     |      | 03.306.014.1 |
|                | 230V         | 16 A     | IEC60309 1ph/N/PE 6h |          |          | 14       |       |            |            | 933  |   |    |    |     |      | 03.306.814.1 |
|                | 230V         | 16 A     | Schuko CEE7/7        | 9        |          |          |       |            |            | 483  |   |    |    |     |      | 03.606.008.1 |
|                | 230V         | 16 A     | IEC60309 1ph/N/PE 6h | 9        |          |          |       |            |            | 483  |   |    |    |     |      | 03.606.809.1 |
|                | 230V         | 16 A     | Schuko CEE7/7        |          |          |          | 6     |            |            | 483  |   |    |    |     |      | 03.406.006.1 |
|                | 230V         | 10 A     | SEV 1011 T12         |          |          |          |       | 5          |            | 483  |   |    |    |     |      | 03.706.005.1 |
|                | 230V         | 16 A     | SEV 1011 T23         |          |          |          |       |            | 6          | 483  |   |    |    |     |      | 03.706.006.1 |
|                | 230V         | 16 A     | IEC60309 1ph/N/PE 6h | 18       | 2        |          |       |            |            | 933  |   |    |    |     |      | 03.606.820.1 |
|                | 230/400V     | 3 x 16 A | IEC60309 3ph/N/PE 6h |          |          | 18       |       |            |            | 1283 |   |    |    |     |      | 03.306.818.1 |
|                | 230/400V     | 3 x 16 A | IEC60309 3ph/N/PE 6h |          |          | 6        |       |            |            | 683  |   |    |    |     |      | 03.306.806.1 |
|                | 230/400V     | 3 x 16 A | IEC60309 3ph/N/PE 6h | 27       | 6        |          |       |            |            | 1433 |   |    |    |     |      | 03.606.833.1 |
|                | 230/400V     | 3 x 16 A | IEC60309 3ph/N/PE 6h |          | 6        |          |       |            |            | 533  |   |    |    |     |      | 03.606.806.1 |





DOS80002

## Knürr DI-STRIP® I

- Metering electrical values per phase
- Metering values are clearly displayed on a LCD display
- LCD display rotation in 90° steps
- Display contrast can be adjusted
- Unbalanced-load warning display with 3-phase model
- Remote interface to get metering values and alarms
- Automatic reduction of background light
- Metering values: Voltage, phase and neutral current, frequency, real power apparent power, energy, power factor
- Input cable:
  - H05VV -F 5 G 4 mm<sup>2</sup> (3 x 32 A types)
  - H05VV -F 3 G 4 mm<sup>2</sup> (1 x 32 A types)
  - H05VV -F 5G 2,5 mm<sup>2</sup> (3 x 16 A types)
  - H05VV -F 3G 1,5 mm<sup>2</sup> (1 x 16 A types)
  - Length: 2,5 m (16 A types); 3 m (32 A types)

### Data interface:

- RJ45 LAN-Port (10/100) for connection to network (LAN)
- Remote Management: Onboard Web Interface, http/s, CLI, SNMPv1,2,3, SSH, Syslog, IPv4, IPv6, DNS

### Material / Finish

- Housing: closed sheet steel extrusion, zinc-passivated, powder-coated texture.
- Plastic parts: Vampamid 6 0024 VO (UL94), recyclable

### Approvals/certificates

- CE label in accordance with:
  - Low voltage directive 2014/35/EU
  - EMC-directive 2014/30/EU
  - RoHS-directive 2011/65/EG
- Bureau-Veritas BG – Certificate (Factory Inspection)
- Bureau-Veritas CB – Certificate

### Color

- Housing: RAL 7035 light grey
- Plastic parts: RAL 7021 dark-grey

### Scope of delivery

- 1 socket strip with LC-Display
- 2 mounting brackets

| DI-STRIP Model | Input Values |          | Input Connector      | Outputs  |          |          |       |            |            | L    | S | F1 | F2 | 19" | Safe | Order No.    |
|----------------|--------------|----------|----------------------|----------|----------|----------|-------|------------|------------|------|---|----|----|-----|------|--------------|
|                | Voltage      | Current  |                      | INT. C13 | INT. C19 | D Schuko | F UTE | CH Type 13 | CH Type 23 |      |   |    |    |     |      |              |
|                | 230V         | 16 A     | IEC60309 1ph/N/PE 6h | 18       | 2        |          |       |            |            | 1033 |   | ■  |    |     |      | 03.607.820.1 |
|                | 230V         | 16 A     | Schuko CEE7/7        |          |          | 6        |       |            |            | 633  |   | ■  |    |     |      | 03.307.006.1 |
|                | 230V         | 16 A     | IEC60309 1ph/N/PE 6h |          |          | 6        |       |            |            | 633  |   | ■  |    |     |      | 03.307.806.1 |
|                | 230V         | 16 A     | Schuko CEE7/7        |          |          | 12       |       |            |            | 933  |   | ■  |    |     |      | 03.307.012.1 |
|                | 230V         | 16 A     | IEC60309 1ph/N/PE 6h |          |          | 12       |       |            |            | 933  |   | ■  |    |     |      | 03.307.812.1 |
|                | 230/400V     | 3 x 16 A | IEC60309 3ph/N/PE 6h |          |          | 18       |       |            |            | 1383 |   | ■  |    |     |      | 03.307.818.1 |
|                | 230/400V     | 3 x 16 A | IEC60309 3ph/N/PE 6h |          |          | 6        |       |            |            | 783  |   | ■  |    |     |      | 03.307.806.1 |
|                | 230/400V     | 3 x 16 A | IEC60309 3ph/N/PE 6h | 27       | 6        |          |       |            |            | 1533 |   | ■  |    |     |      | 03.607.833.1 |
|                | 230/400V     | 3 x 16 A | IEC60309 3ph/N/PE 6h |          | 6        |          |       |            |            | 633  |   | ■  |    |     |      | 03.607.806.1 |

### Outputs:

|  |   |  |
|--|---|--|
| C13 = IEC60320 C13                         | Type 13 = Switzerland, type 13              | F2 = Design side panel (for installing at workstation) |
| C19 = IEC60320 C19                         | L = Length in mm                            | 19" = Suitable for 19" installation                    |
| Schuko = Protective contact plug DIN 49440 | S = Switch                                  | safe = Protected contacts                              |
| UTE = France Standard CEE 7-V              | F1 = Standard side pane (for rack mounting) |  |



DOS20062

with mains cable



DOS00458

Euro socket in connector field



DOS00460

Euro socket in side cover



DOS20102

with overload protection 10A

## DI-STRIP® Euro Socket System, IEC 320

- Optionally with illuminated switch; 2-pole switching
- 19" installation option
- Euro socket combinations of IEC 320 C13 and C19 sockets
- Feed cable:
  - H05VV-F 3G 1,5 mm<sup>2</sup> (16 A types)
  - H05VV-F 3G 4 mm<sup>2</sup> (32 A types)
- Feed cable: 2.5 m

### Material / Finish

- Housing: closed sheet steel extrusion, zinc-passivated, powder-coated texture
- Plastic parts: Vampamid 6 0024 VO (UL94), recyclable

### Dimensions

- Height: 45.5 mm
- Width of housing: 44.4 mm (= 1 U)

### Approvals/certificates

- CE label in accordance with:
  - Low Voltage Directive 2014/35/EU
  - EMC Directive 2014/30/EU
  - RoHS Directive 2011/65/EG
- Bureau-Veritas BG - Certificate (Factory Inspection)
- Bureau-Veritas CB - Certificate
- CSA (only models with IEAC60320 input)

### Color

- Enclosure: RAL 7035, light-grey
- Plastic parts: RAL 7021 dark-grey

### Scope of delivery

- 1 x socket strip
- 2 x mounting brackets

| DI-STRIP Model                | Input Values |         | Input Connector      | Outputs  |          |          |       |            |            | L   | S | F1 | F2 | 19" | Safe | Order No.    |
|-------------------------------|--------------|---------|----------------------|----------|----------|----------|-------|------------|------------|-----|---|----|----|-----|------|--------------|
|                               | Voltage      | Current |                      | INT. C13 | INT. C19 | D Schuko | F UTE | CH Type 13 | CH Type 23 |     |   |    |    |     |      |              |
| With feed cable               | 230V         | 16 A    | Schuko CEE7/7        | 6        |          |          |       |            |            | 333 |   | ■  |    |     |      | 03.600.006.1 |
|                               | 230V         | 16 A    | Schuko CEE7/7        | 9        |          |          |       |            |            | 483 | ■ | ■  |    | ■   |      | 03.602.009.1 |
|                               | 230V         | 10 A    | IEC60320 C13         | 12       |          |          |       |            |            | 483 |   | ■  |    | ■   |      | 03.600.312.1 |
|                               | 230V         | 16 A    | IEC60320 C19         | 15       | 3        |          |       |            |            | 783 |   | ■  |    |     |      | 03.600.418.1 |
|                               | 230V         | 16 A    | IEC60309 1ph/N/PE 6h | 15       | 3        |          |       |            |            | 783 |   | ■  |    |     |      | 03.600.518.1 |
| Euro input in plug panel      | 230V         | 10 A    | IEC60320 C14 inlet   | 6        |          |          |       |            |            | 383 |   | ■  |    |     |      | 03.622.006.1 |
|                               | 230V         | 10 A    | IEC60320 C14 inlet   | 9        |          |          |       |            |            | 483 |   | ■  |    | ■   |      | 03.622.009.1 |
| Euro input on side panel      | 230V         | 10 A    | IEC60320 C14 inlet   | 6        |          |          |       |            |            | 333 |   | ■  |    |     |      | 03.622.706.1 |
|                               | 230V         | 10 A    | IEC60320 C14 inlet   | 9        |          |          |       |            |            | 433 |   | ■  |    |     |      | 03.622.709.1 |
|                               | 230V         | 10 A    | IEC60320 C14 inlet   | 6        |          |          |       |            |            | 383 | ■ | ■  |    |     |      | 03.624.706.1 |
|                               | 230V         | 10 A    | IEC60320 C14 inlet   | 9        |          |          |       |            |            | 483 | ■ | ■  |    |     |      | 03.624.709.1 |
| GST18 input in side panel     | 230V         | 16 A    | GST18                | 6        |          |          |       |            |            | 383 |   | ■  |    |     |      | 03.600.206.1 |
| With overload protection 10 A | 230V         | 10 A    | Schuko CEE7/7        | 10       |          |          |       |            |            | 483 | ■ | ■  |    | ■   |      | 03.632.010.1 |



1. DOS20147

### 3-Phase in Rack with GST18 Features



2. DOS20132

#### ■ Requirement

Constant energy increase requirements in the rack caused by high packing densities (e.g. 1 U Pizza servers, blade servers, etc.) (1)

#### ■ Solution

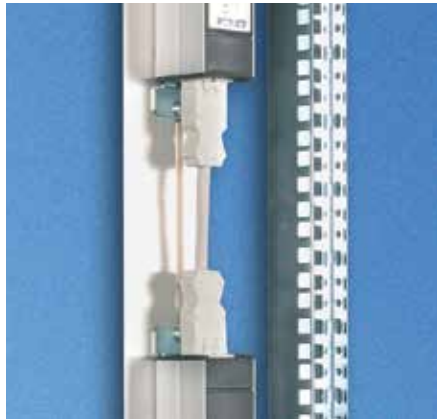
3-phase distributor with GST18 plug system, e.g. 96 A with redundant feed (2)

#### ■ Benefits (3, 4)

- Modularity
- Plug-in capability (no wiring required)
- Can be expanded
- Cascadable
- Easy implementation of redundancies/UPS-secured circuits
- Combination of DIN Schuko / IEC320 Euro systems
- Any installation position can be selected
- Good alternative to 3-phase DI-STRIP Triple Power



3. DOS20142



4. DOS20135



DOS20104

### Power Supply Cable, 3-Phase Accessories for GST 18 Plug System

- GST 18 socket for connecting GST18i5 distributor block with 3 phases
- 5-pole (L1, L2, L3, N, PE) 250/400 V ~
- Cable: H05VV-F 5G 2.5 mm<sup>2</sup>

- **Color**  
Black

| L     | Order No.    | UP     |
|-------|--------------|--------|
| 2.0 m | 04.000.048.0 | 1 unit |



DOS20103

### GST18i5 Distributor Block, 3-Phase

- For individual connection at the customer
- Modular plug-in connection
- 3-phase distribution on various socket strips
- Including mounting panel

- **Color**  
Black

| Order No.    | UP     |
|--------------|--------|
| 04.000.038.9 | 1 unit |



DOS00467

### Power Supply Cable, Single Phase Accessories for GST 18 Plug System

- Mains plug CEE/VII: GST18 socket (Wieland)
  - Cable: H05VV-F3G 1.5 mm<sup>2</sup>
- **Color**  
White

| L     | Order No.           | UP     |
|-------|---------------------|--------|
| 2.0 m | <b>04.000.040.0</b> | 1 unit |
| 5.0 m | <b>04.000.041.0</b> | 1 unit |



DOS00469

### Connection Cable Accessories for GST 18 Plug System

- GST 18 plug
  - GST 18 socket
  - Cable: H05VV-F3G 1.5 mm<sup>2</sup>
- **Color**  
For color coding circuits (e.g. UPS)

| L     | Model | Order No.           | UP     |
|-------|-------|---------------------|--------|
| 0.2 m | White | <b>04.000.042.0</b> | 1 unit |
| 0.2 m | Black | <b>04.000.042.9</b> | 1 unit |
| 0.5 m | White | <b>04.000.037.0</b> | 1 unit |
| 0.5 m | Black | <b>04.000.037.9</b> | 1 unit |
| 1.0 m | White | <b>04.000.044.0</b> | 1 unit |
| 1.0 m | Black | <b>04.000.044.9</b> | 1 unit |
| 5.0 m | White | <b>04.000.045.0</b> | 1 unit |



DOS20105

### GST18 Socket

- With threaded connection for cross-section 1.5 – 2.5 mm<sup>2</sup> with cable strain relief
  - For individual connection
- **Color**  
White

| Order No.           | UP     |
|---------------------|--------|
| <b>04.000.046.0</b> | 1 unit |



DOS00471

### GST18 Plug

- With threaded connection for cross-section 1.5 – 2.5 mm<sup>2</sup> with cable strain relief
  - For individual, further cabling
- **Color**  
White

| Order No.           | UP     |
|---------------------|--------|
| <b>04.000.047.0</b> | 1 unit |



DOS00470



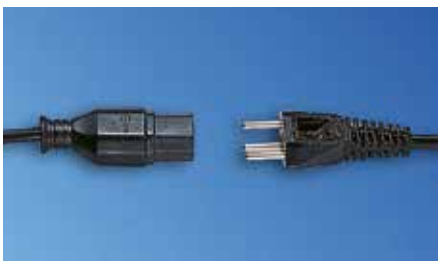
DOS00076

### Mains Cable for Euro Socket Strip For DIN 49 440 and French/Belgian Standard

- Mains plug CEE/VII: Euro socket IEC 320
- Cable: H05VV-F 3G 1 mm<sup>2</sup>

- **Mains voltage**  
250 VAC
- **Nominal current**  
10 A

| L     | Order No.           | UP     |
|-------|---------------------|--------|
| 2.0 m | <b>04.000.054.9</b> | 1 unit |
| 6.0 m | <b>04.000.053.9</b> | 1 unit |



DOS00077

### Mains Cable for Euro Socket Strip For Swiss Standard

- Mains plug: Type 12 - Euro socket IEC 320
- Cable: H05VV-F 3G 1 mm<sup>2</sup>

- **Mains voltage**  
250 VAC
- **Nominal current**  
10 A

| L     | Order No.           | UP     |
|-------|---------------------|--------|
| 2.0 m | <b>04.000.055.9</b> | 1 unit |



DOS00078

### Mains Cable for Euro Socket Strip For British Standard

- Mains plug: Type BS 1363 - IEC320 Euro socket
- Cable: H05VV-F 3G 1 mm<sup>2</sup>

- **Mains voltage**  
250 VAC
- **Nominal current**  
10 A

| L     | Order No.           | UP     |
|-------|---------------------|--------|
| 2.0 m | <b>04.000.056.9</b> | 1 unit |



DOS00519

### Euro Connection Cable

- Mains plug: IEC 320
- Euro socket IEC 320
- Cable: H05VV-F 3G 1 mm<sup>2</sup>
- USA: SJT AWG18 with USA approval

- **Mains voltage**  
250 VAC
- **Nominal current**  
10 A

| L     | Model | Order No.           | UP     |
|-------|-------|---------------------|--------|
| 0.9 m | EU    | <b>04.000.051.9</b> | 1 unit |
| 0.9 m | USA   | <b>04.000.052.9</b> | 1 unit |

#### Dimensions in mm:

L = Length  
S = Switch  
n = Number of sockets  
F1 = Standard side panel  
F2 = Design side panel  
19" = ideal for 19" components

#### Conversion:

U = Standard rack unit  
UP = Packaging unit  
Safe = Protected contacts  
1 mm = 0.03937 inch  
1 kg = 2.2046 pounds

Replace **x** with the number of your color combination: **1** = RAL 7035, **6** = RAL 7035/RAL 2003





DOS20493



DOS20494

## SafetySleeve™ Cable Protection IEC C13 and IEC C19

- SafetySleeves protect the feed lines of the network equipment
- Compatible with all C19 cables and fit onto all PDUs

- **Material / Finish**  
PVC, black

| Model                  | Order No.               | UP      |
|------------------------|-------------------------|---------|
| C14 plug in C13 socket | <b>03.910.213.9 001</b> | 50 unit |
| C20 plug in C19 socket | <b>03.910.212.9 001</b> | 20 unit |



DOS20495



DOS20496



DOS20497



DOS20498

## SafetyLock™ Connection Cable IEC C13 EU and IEC C19 EU

- Connection cables have integrated protection against accidental disconnection
- For straight locking from C14 to C13
- Locking cables are sold in sets of 9 units

- **Certification**
  - ENEC
  - VDE
  - CB scheme
  - RoHS compliant

- **Technical data**
  - Standard: IEC 60320
  - Load rating: 250 Vac/10 A
  - Operating temperature: -25° C ~ +70° C
  - Extraction force with locking function: up to 120 N
  - Electric power cable: H05VV-F 3G 0.75 mm<sup>2</sup>
  - Flame retardance: Plug: UL 94V-2 or better; cable: UL VW-1, IEC60332-1. Cat F2

- **Color**
  - Black/white
  - Other colors available upon request

- **Scope of delivery**  
9 x locking cables

- **How supplied**  
In sets

| L     | Model | Order No. (C13, 9 unit) | Order No. (C19, 6 unit) | UP     |
|-------|-------|-------------------------|-------------------------|--------|
| 0.5 m | Black | <b>03.951.450.0,001</b> | <b>03.951.455.0,001</b> | 9 unit |
| 1.0 m | Black | <b>03.951.450.0,002</b> | <b>03.951.455.0,002</b> | 9 unit |
| 1.5 m | Black | <b>03.951.450.0,003</b> | <b>03.951.455.0,003</b> | 9 unit |
| 0.5 m | White | <b>03.951.451.0,001</b> | <b>03.951.456.0,001</b> | 9 unit |
| 1.0 m | White | <b>03.951.451.0,002</b> | <b>03.951.456.0,002</b> | 9 unit |
| 1.5 m | White | <b>03.951.451.0,003</b> | <b>03.951.456.0,003</b> | 9 unit |



DOS20499



DOS20500

## Ergonomically designed products and solutions from a single source

The **Knürr Technical Furniture** manufactures and develops workstations for electronics labs and mobile equipment carriers for healthcare and automotive industries. Furthermore Knürr Technical Furniture is the specialist for height adjustable control room workstations.

Learn more about Knürr Technical Furniture products and services at **[www.technical-furniture.com](http://www.technical-furniture.com)**

### **Knürr Technical Furniture is a Vertiv Co. Company**

#### **Knürr Technical Furniture GmbH**

Mariakirchener Straße 38  
94424 Arnstorf  
Germany  
T +49 8723 28 0  
F +49 8723 28 138  
[furniture@knuerr.com](mailto:furniture@knuerr.com)  
[www.technical-furniture.com](http://www.technical-furniture.com)

#### **Vertiv™**

Global Headquarters  
1050 Dearborn Drive  
P.O. Box 29186  
Columbus, OH 43229, USA  
T +1 614 8880246  
[www.vertivco.com](http://www.vertivco.com)

While every precaution has been taken to ensure accuracy and completeness herein, Knürr Technical Furniture and Vertiv Co assumes no responsibility, and disclaims all liability, for damages resulting from use of this information or for any errors or omissions. Specifications subject to change without notice.

Knürr and the Knürr logo, are trademarks and service marks of Vertiv Co. or one of its affiliated companies. ©2016 Vertiv Co. All rights reserved.